

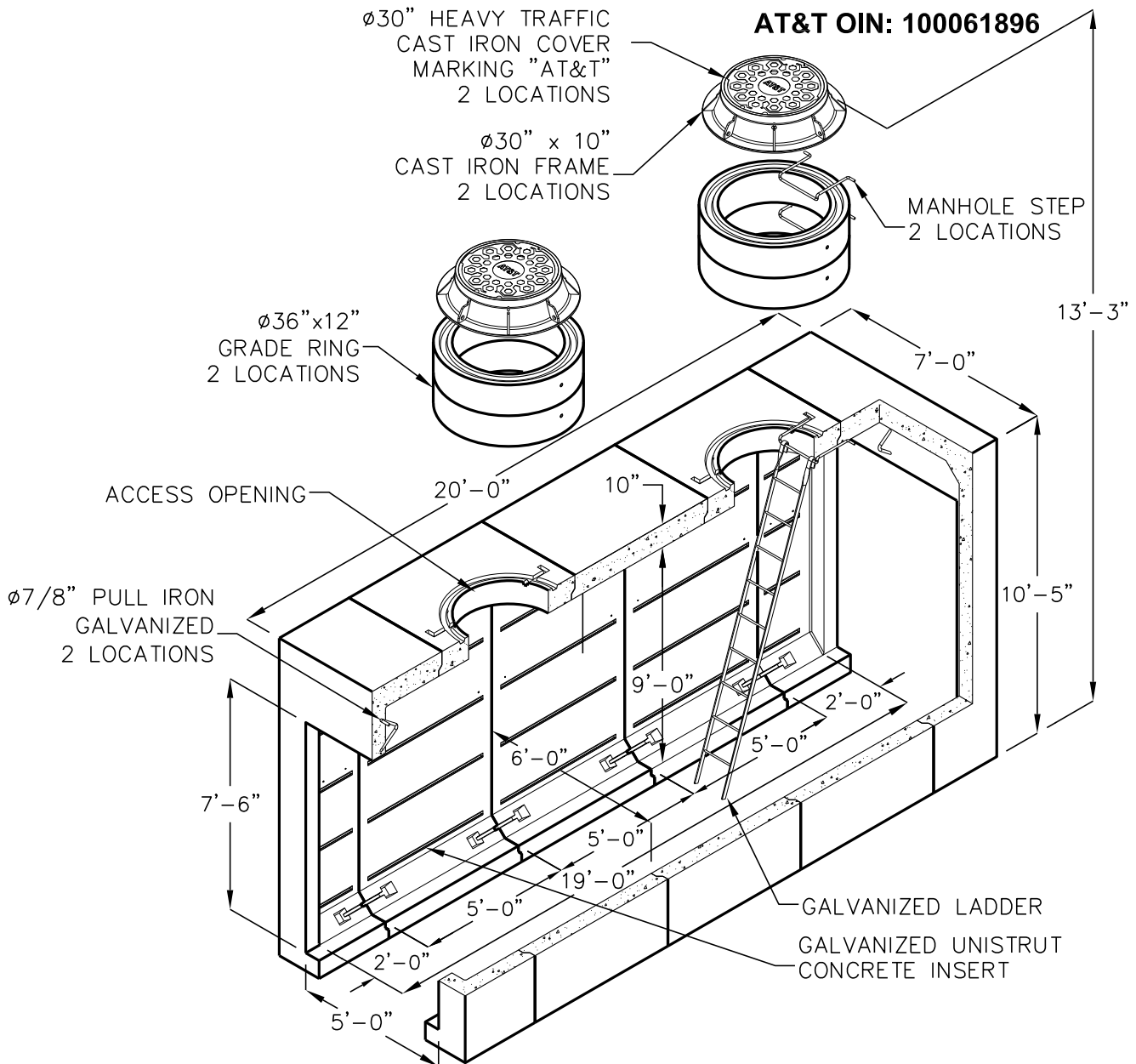


at&t Northern California
Nevada

6'-0"x9'-0"x19'-0" AT&T MODULAR INTERCEPT MANHOLE

TRAFFIC RATED TUNNEL RACKED AND PAINTED

AT&T OIN: 100061896



MATERIAL LIST	
DESCRIPTION	WEIGHT (LBS)
6'x9'x5' INTERCEPT CENTER WITH RACKING	12,789
6'x9'x5' INTERCEPT CENTER WITH ACCESS AND RACKING (2 QTY)	12,137
6'x9'x2' INTERCEPT END WITH RACKING - FEMALE KEY	7,721
6'x9'x2' INTERCEPT END WITH RACKING - MALE KEY	7,328
36" x 12" GRADE RING (4 QTY)	812
GALVANIZED MANHOLE STEP (6 QTY)	7
10'-0" GALVANIZED MANHOLE LADDER	49
30"x10" HEAVY TRAFFIC CAST IRON FRAME (2 QTY)	359
30" HEAVY TRAFFIC CAST IRON COVER - ATT (2 QTY)	302

RACKING AND CLOSURE POUR REINFORCING NOT SHOWN FOR CLARITY. PLEASE REFER TO INDIVIDUAL COMPONENT DRAWINGS.

G Jensen Precast reserves the right to make changes to product design and/or dimensions without notice. Please contact Jensen Precast whenever necessary for confirmation or advice on product design.

4/12/2017
K69IAT19_SHT1.DWG
©2017

