



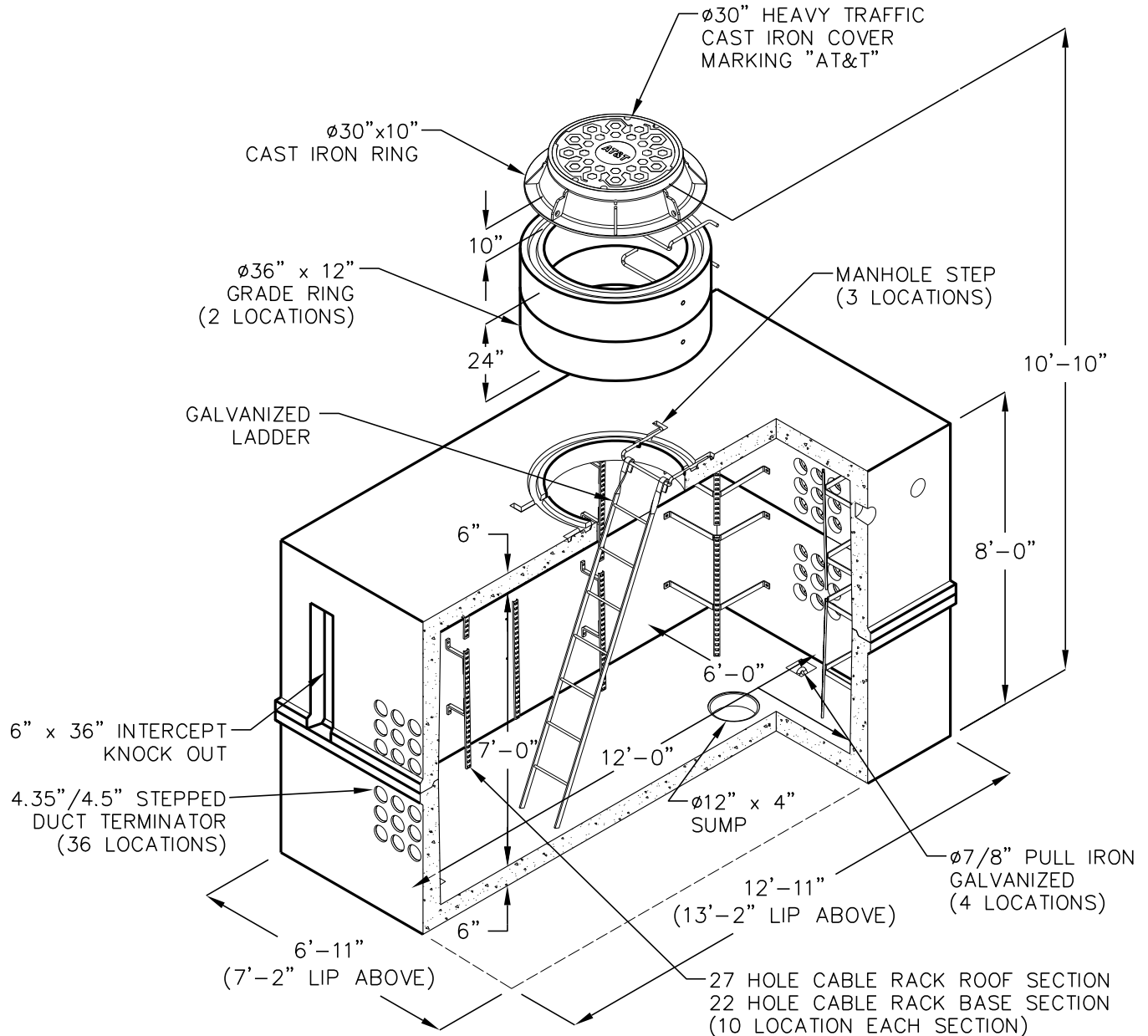
at&t Northern California
Nevada

6'-0"x12'-0"x7'-0"

AT&T MANHOLE

TRAFFIC RATED CENTER DUCT

AT&T OIN: 100061887



MATERIAL LIST

DESCRIPTION	WEIGHT (LBS)
6'-0" x 12'-0" x 37" BASE SECTION RACKED AND PAINTED	15,532
6'-0" x 12'-0" x 47" ROOF SECTION RACKED AND PAINTED	16,499
36" x 12" GRADE RING (2 QTY)	812
GALVANIZED MANHOLE STEP (3 QTY)	7
8'-0" GALVANIZED MANHOLE LADDER	39
30"x10" HEAVY TRAFFIC CAST IRON FRAME	359
30" HEAVY TRAFFIC CAST IRON COVER - ATT	302

JENSEN
PRECAST EST. 1968

Jensen Precast reserves the right to make changes to product design and/or dimensions without notice. Please contact Jensen Precast whenever necessary for confirmation or advice on product design.