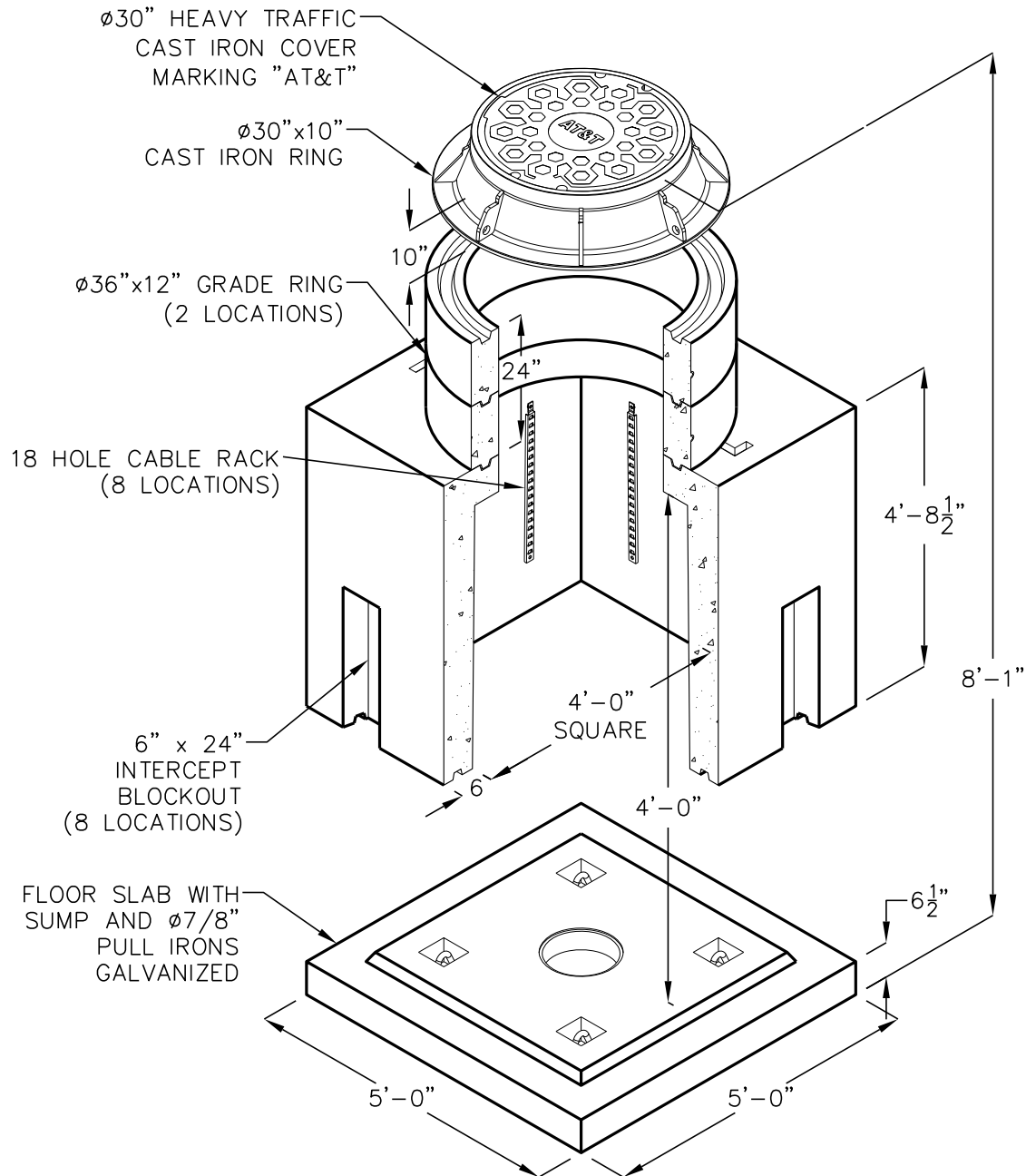




at&t Northern California
Nevada

4'-0"x4'-0"x4'-0" AT&T FIBER OPTIC INTERCEPT MANHOLE

TRAFFIC RATED
AT&T OIN: OTA



MATERIAL LIST

DESCRIPTION	WEIGHT (LBS)
4'-0"x4'-0"x4'-0" BASE SECTION RACKED AND PAINTED	6,930
4'-0"x4'-0"x6.5" BASE SLAB	2,240
36" x 12" GRADE RINGS (2 QTY)	812
30"x10" HEAVY TRAFFIC CAST IRON FRAME	359
30" HEAVY TRAFFIC CAST IRON COVER - ATT	302

JENSEN
PRECAST EST. 1968

Jensen Precast reserves the right to make changes to product design and/or dimensions without notice. Please contact Jensen Precast whenever necessary for confirmation or advice on product design.