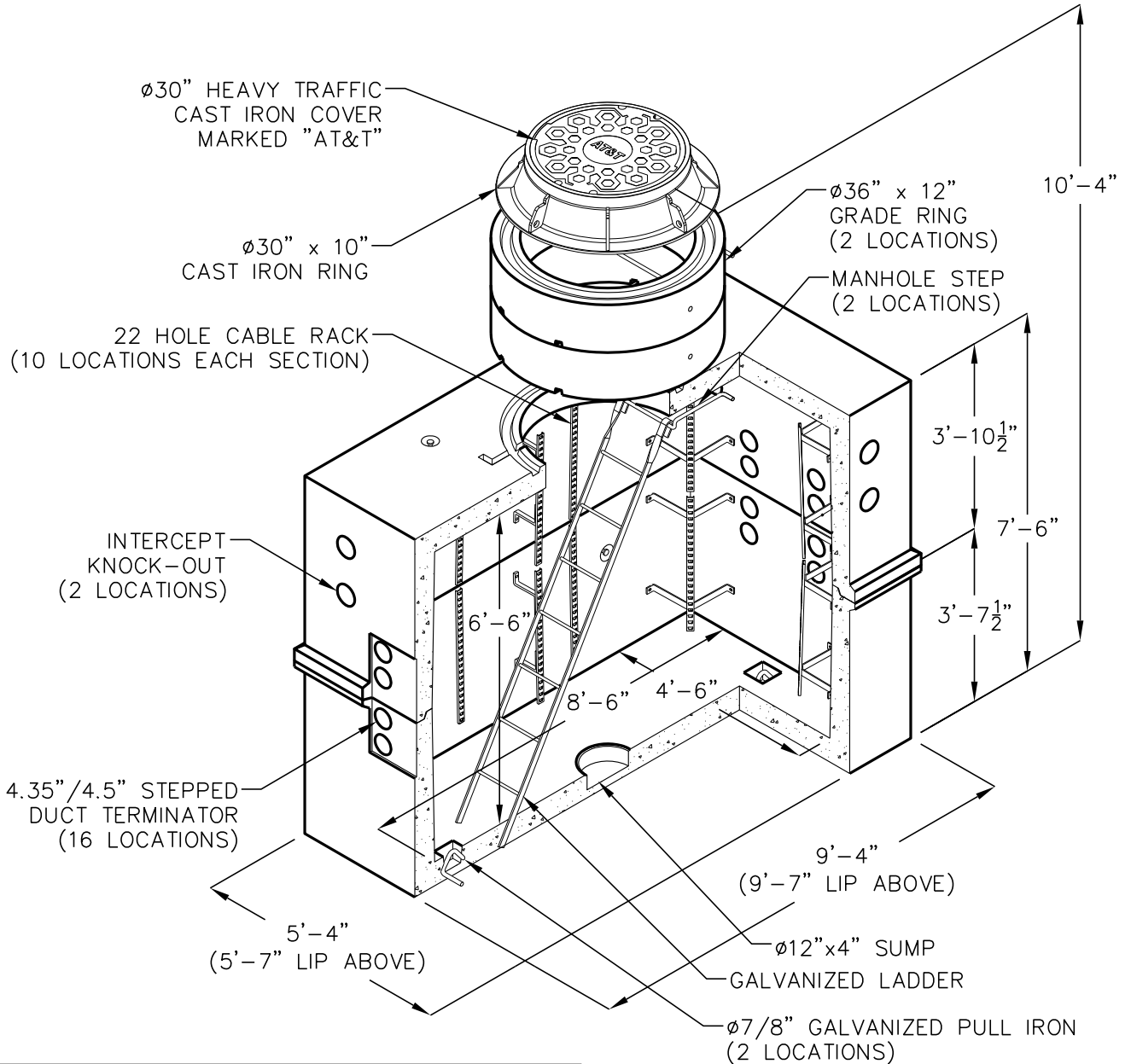




at&t Northern California
Nevada

4'-6" x 8'-6" x 6'-6"
AT&T MANHOLE
CENTER DUCT TRAFFIC RATED
AT&T OIN: 100061885



MATERIAL LIST	
DESCRIPTION	WEIGHT (LBS)
4'-6" x 8'-6" x 39" BASE SECTION RACKED AND PAINTED	9606
4'-6" x 8'-6" x 39" ROOF SECTION RACKED AND PAINTED	9139
36" x 12" GRADE RING (2 QTY)	812
GALVANIZED MANHOLE STEP (2 QTY)	7
8'-0" GALVANIZED MANHOLE LADDER	39
30" x 10" HEAVY TRAFFIC CAST IRON FRAME	359
30" HEAVY TRAFFIC CAST IRON COVER - ATT	302

JENSEN
PRECAST EST. 1968

Jensen Precast reserves the right to make changes to product design and/or dimensions without notice. Please contact Jensen Precast whenever necessary for confirmation or advice on product design.