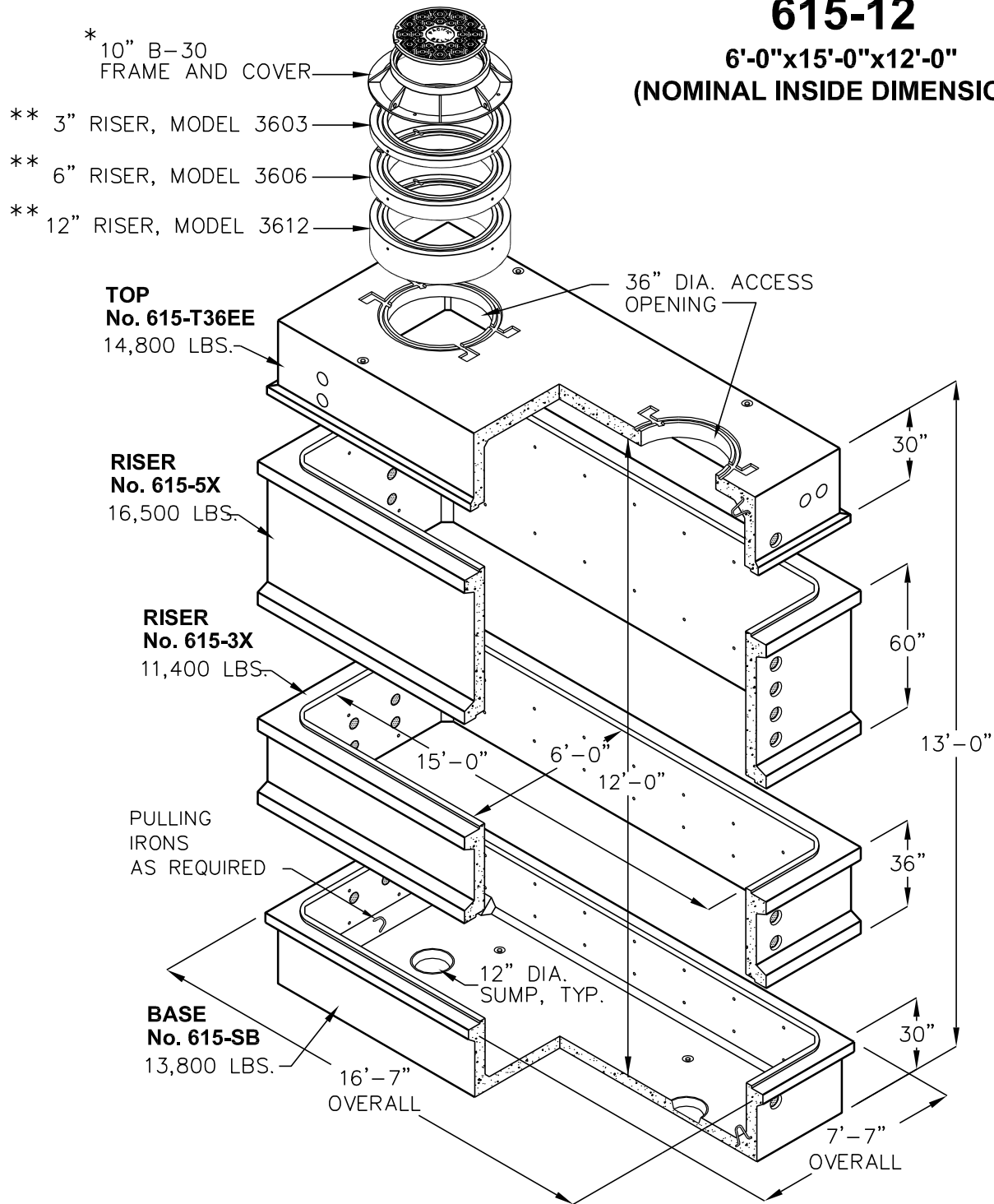


# 615-12

6'-0"x15'-0"x12'-0"  
(NOMINAL INSIDE DIMENSIONS)



KNOCKOUTS, DUCT TERMINATORS, RACKING, AND LADDER PER CURRENT SPECIFICATIONS.

DESIGN LOAD: H-20 FULL TRAFFIC

FOR COMPLETE DESIGN AND PRODUCT INFORMATION CONTACT JENSEN PRECAST.

\* SEE HARDWARE/APPERTENANCES SECTION FOR SPECIFICATIONS.

\*\*RISERS OPTIONAL- SEE COLLAR/RISER SECTION FOR SPECIFICATIONS.

Jensen Precast reserves the right to make changes to product design and/or dimensions without notice. Please contact Jensen Precast whenever necessary for confirmation or advice on product design.

