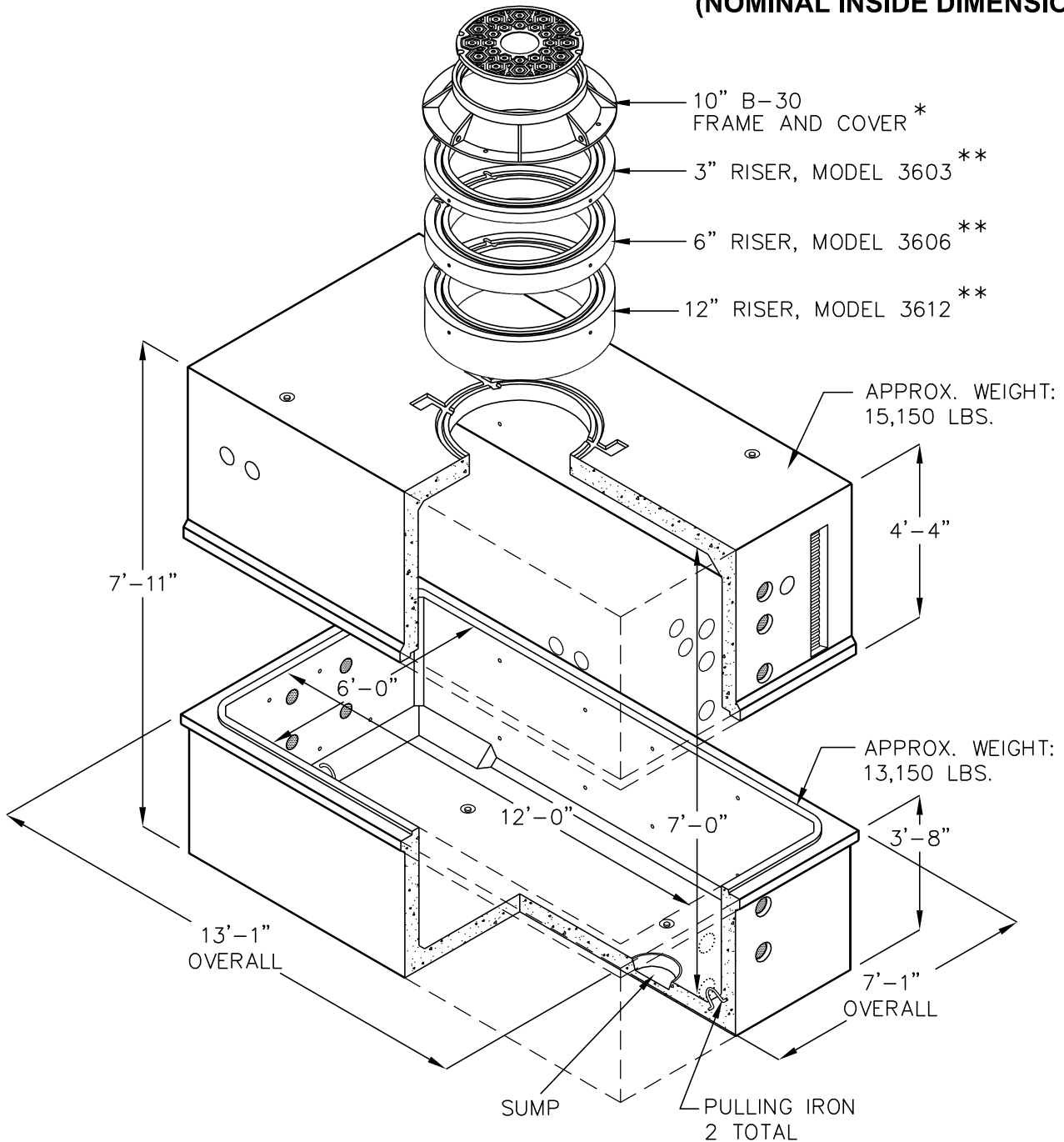


# TELEPHONE MANHOLE

## 612-7

6'-0"x12'-0"x7'-0"

(NOMINAL INSIDE DIMENSIONS)



BOX DESIGN LOAD: H-20 TRAFFIC WITH 1' TO 5'  
EARTH COVER.

FOR COMPLETE DESIGN AND PRODUCT INFORMATION,  
CONTACT JENSEN PRECAST.

- \* SEE HARDWARE/APPURTENANCES SECTION  
FOR SPECIFICATIONS.
- \*\* RISERS OPTIONAL. SEE COLLAR/RISER  
SECTION FOR SPECIFICATIONS.