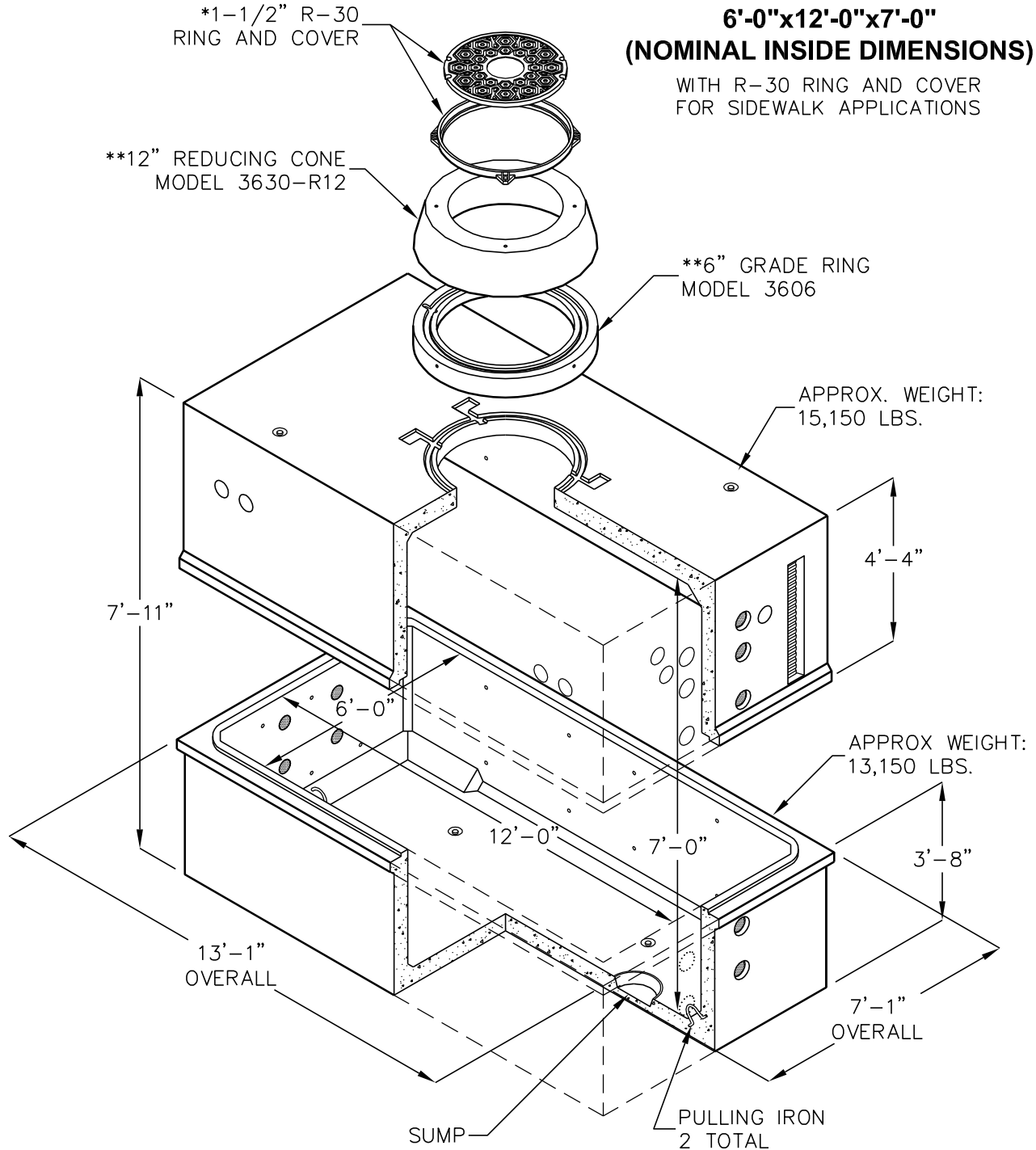


612-7 TELEPHONE MANHOLE

6'-0"x12'-0"x7'-0"

(NOMINAL INSIDE DIMENSIONS)

WITH R-30 RING AND COVER
FOR SIDEWALK APPLICATIONS



- * SEE HARDWARE/APPURTENANCES SECTION FOR SPECIFICATIONS.
- **RISERS OPTIONAL. SEE COLLAR/RISER SECTION FOR SPECIFICATIONS.

COVER DESIGN LOAD: 300 PSF PEDESTRIAN LOADING.
BOX DESIGN LOAD: H-20 TRAFFIC WITH 1' TO 5' SOIL COVER.

FOR COMPLETE DESIGN AND PRODUCT INFORMATION
CONTACT JENSEN PRECAST.

Jensen Precast reserves the right to make changes to product design and/or dimensions without notice. Please contact Jensen Precast whenever necessary for confirmation or advice on product design.

JENSEN
PRECAST