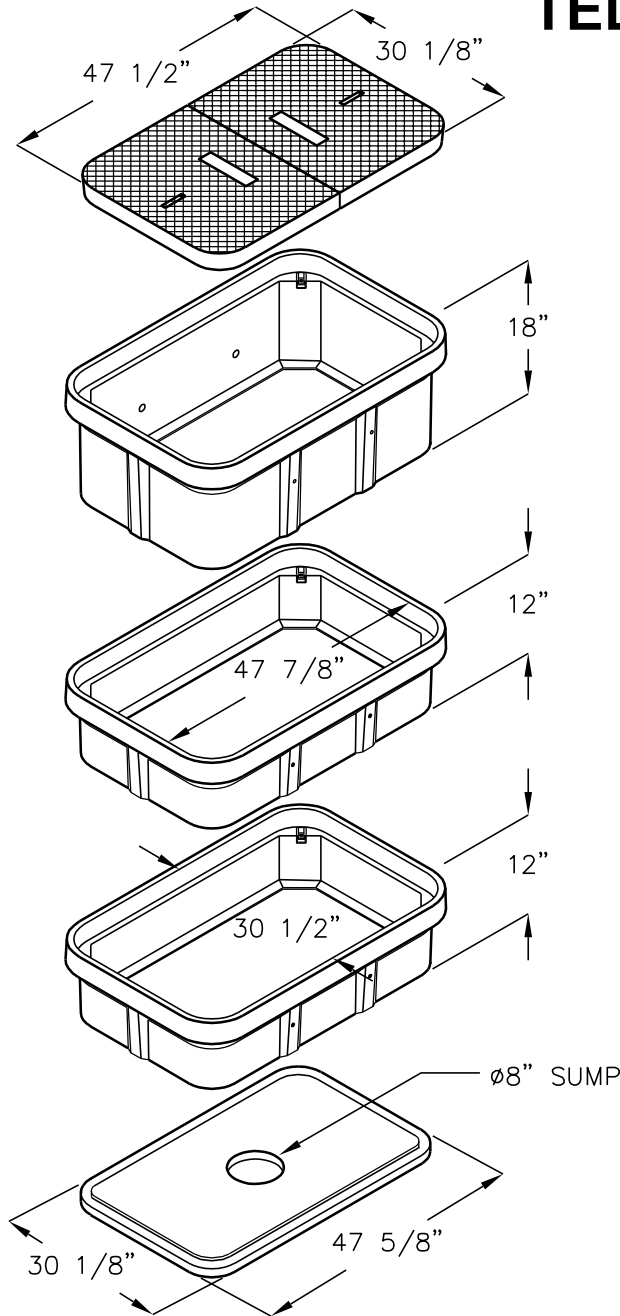


ARMORCAST 3048 TELEPHONE HANDHOLE

30"x48"x18"
(NOMINAL INSIDE DIMENSIONS)



WHEN ORDERING:

THE STANDARD SBC AR3048 KIT INCLUDES THE AR3048 BOX, (2) AR3048 EXTENSIONS, AR3048 LID, AND THE AR3048 SLAB. FOR OTHER COMPONENTS, ORDER BY CATALOG NUMBER.

| CATALOG NUMBER | PRODUCT | DESCRIPTION | APPROX. WT. (LBS.) |
|----------------|-----------|----------------------|--------------------|
| AR3048 | BOX | POLYMER CONCRETE 18" | 190 LBS. |
| AR304802TELE | LID | POLYMER CONCRETE 3" | 94 LBS. |
| AR3048EX | EXTENSION | POLYMER CONCRETE 12" | 136 LBS. |
| AR3048SL | SLAB | POLYMER CONCRETE 2" | 120 LBS. |

DESIGN LOAD: LIGHT
VEHICULAR TRAFFIC,
10,000 WHEEL LOAD

FOR COMPLETE DESIGN
AND PRODUCT INFORMATION
CONTACT JENSEN PRECAST.