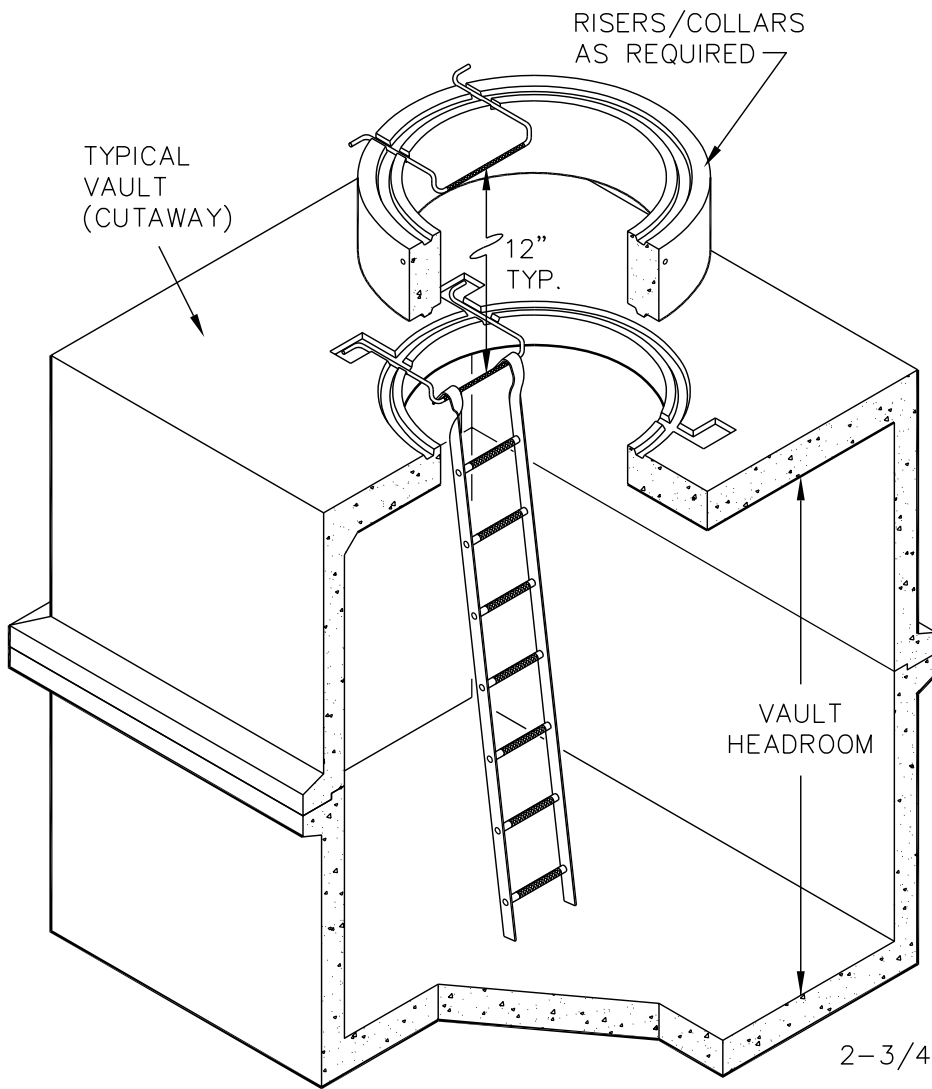


HEADROOM IN MANHOLE (FEET)	LENGTH OF LADDER (FEET)
5 TO 5.5	6.5
6 TO 7	8
7.5 TO 9	10
9.5 TO 11	12
11.5 TO 13	14
13.5 TO 15	16
15.5 TO 16.5	18

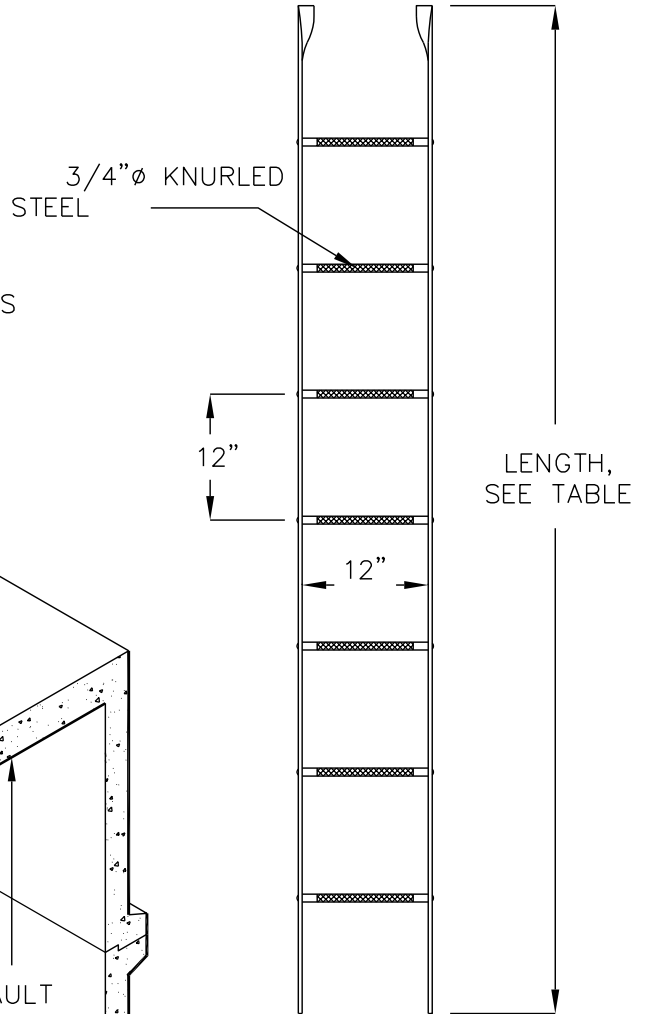
APPROX. WEIGHT IS 5 LBS. PER FOOT OF LENGTH (THROUGH 12 FT.), AND 7.6 LBS. PER FOOT OF LENGTH (OVER 12 FT.) WHEN ORDERING, SPECIFY I-3600-(LENGTH)

LADDER & STEP RUNG

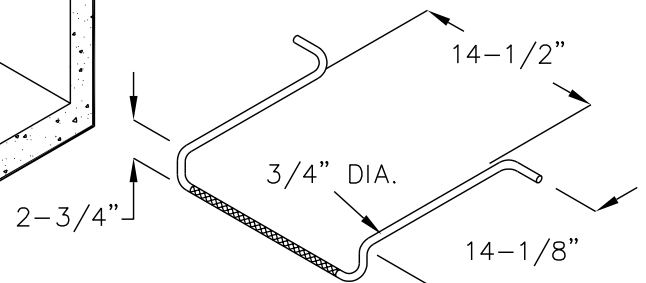
MODEL I-3600 LADDER
(TWISTED HOOK STYLE)



TYPICAL INSTALLATION



LADDER
(GALVANIZED)



STEP RUNG
(GALVANIZED)

FOR COMPLETE DESIGN,
AND PRODUCT INFORMATION,
CONTACT JENSEN PRECAST.