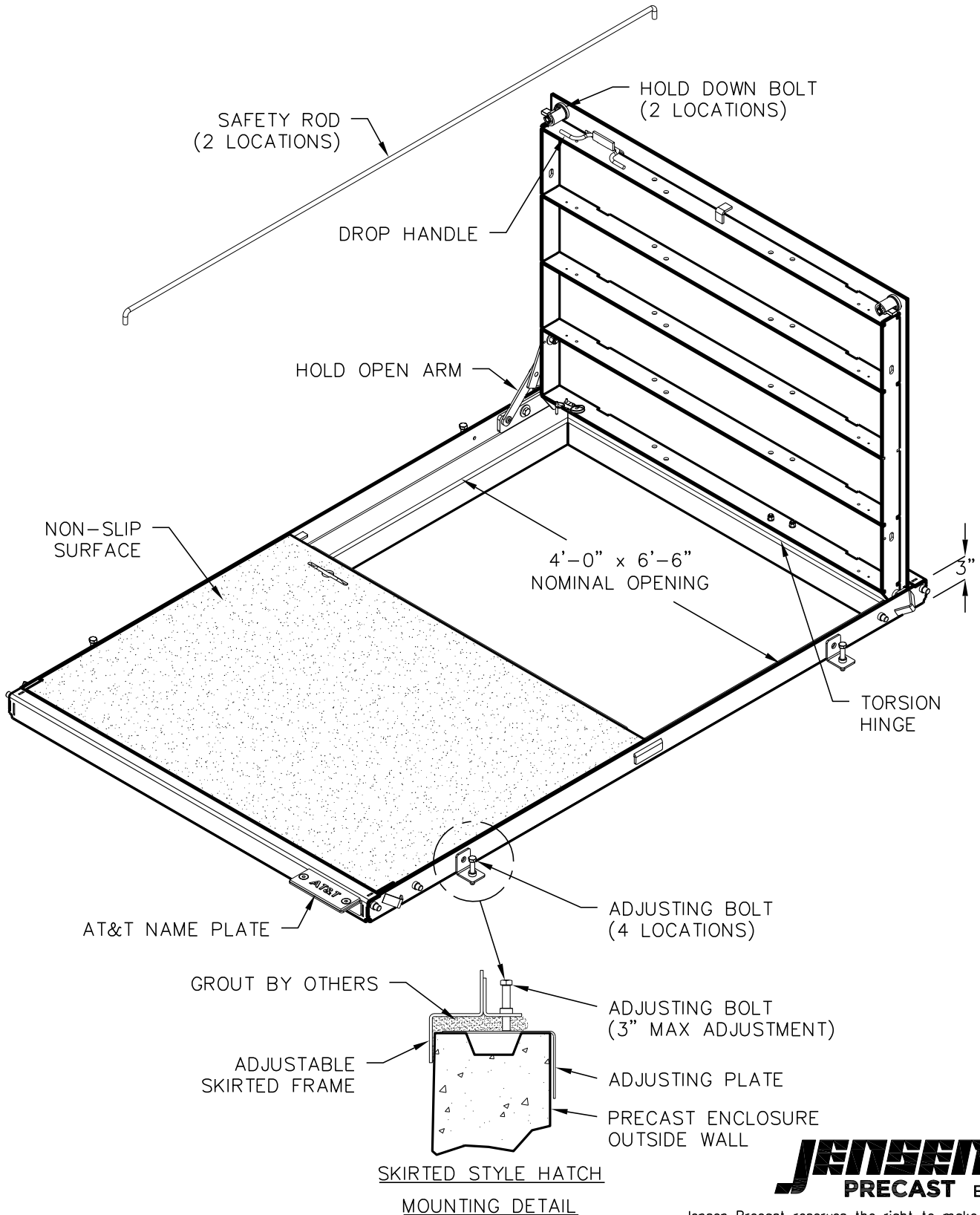




at&t Northern California
Nevada

4'-0"x6'-6"
ACCESS COVER
PEDESTRIAN RATED HINGED COVER
ADJUSTABLE FRAME
AT&T OIN: 100061923



WEIGHT: 575 LBS



Jensen Precast reserves the right to make changes to product design and/or dimensions without notice. Please contact Jensen Precast whenever necessary for confirmation or advice on product design.