



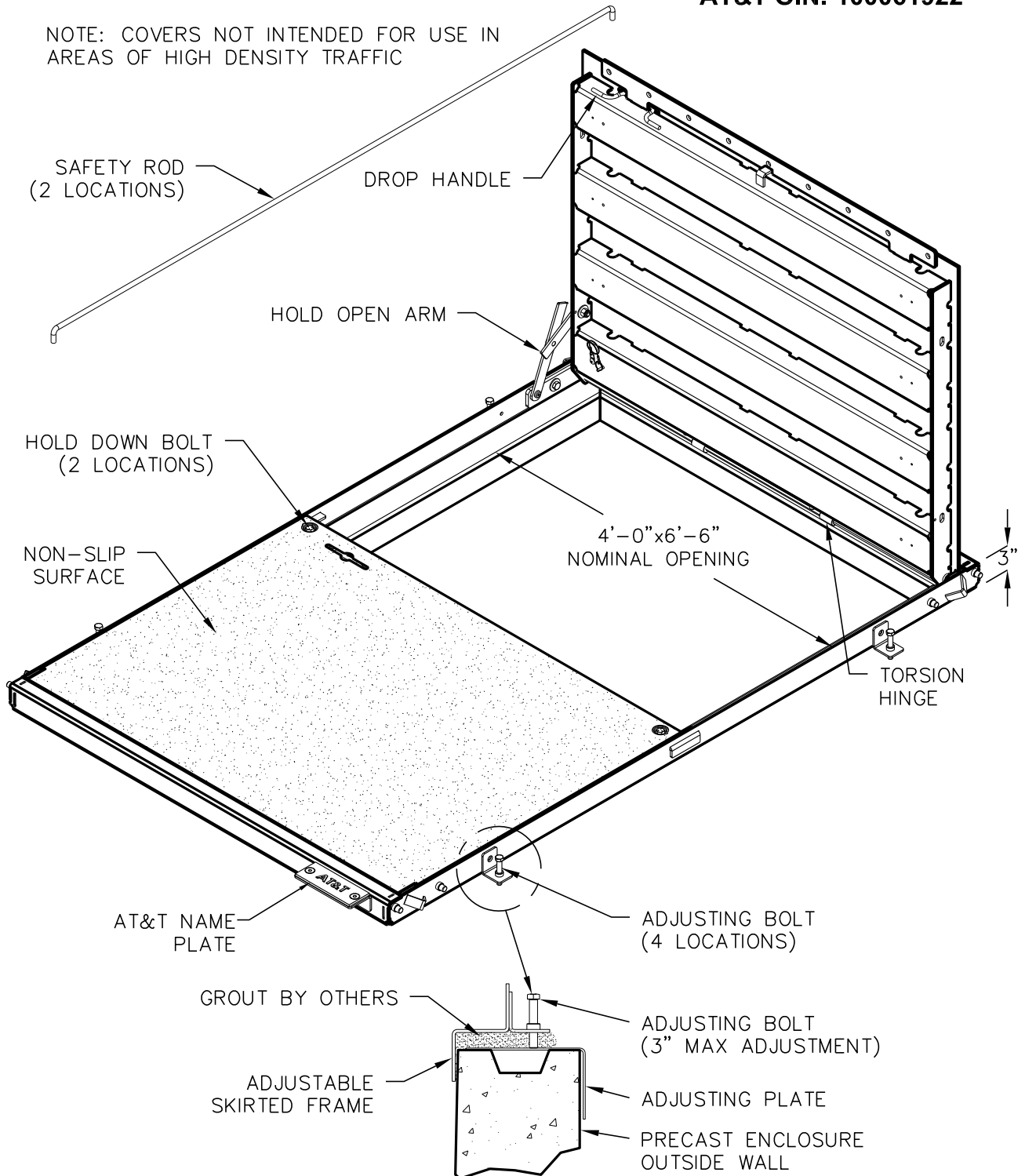
at&t Northern California
Nevada

4'-0"x6'-6" ACCESS COVER

TRAFFIC RATED HINGED COVER
ADJUSTABLE FRAME

AT&T OIN: 100061922

NOTE: COVERS NOT INTENDED FOR USE IN
AREAS OF HIGH DENSITY TRAFFIC



SKIRTED STYLE HATCH
MOUNTING DETAIL

WEIGHT: 710 LBS



Jensen Precast reserves the right to make changes
to product design and/or dimensions without notice.
Please contact Jensen Precast whenever necessary
for confirmation or advice on product design.