



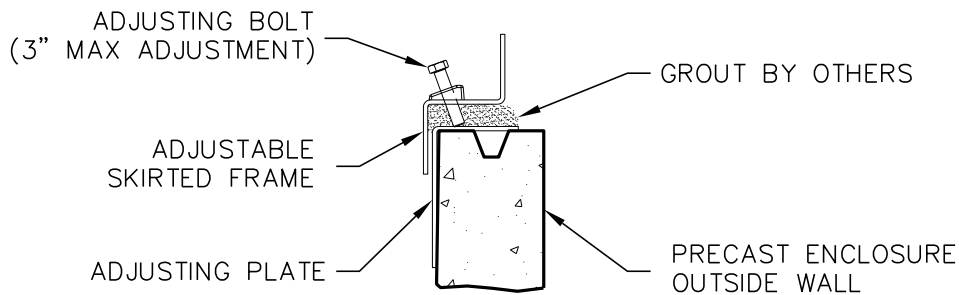
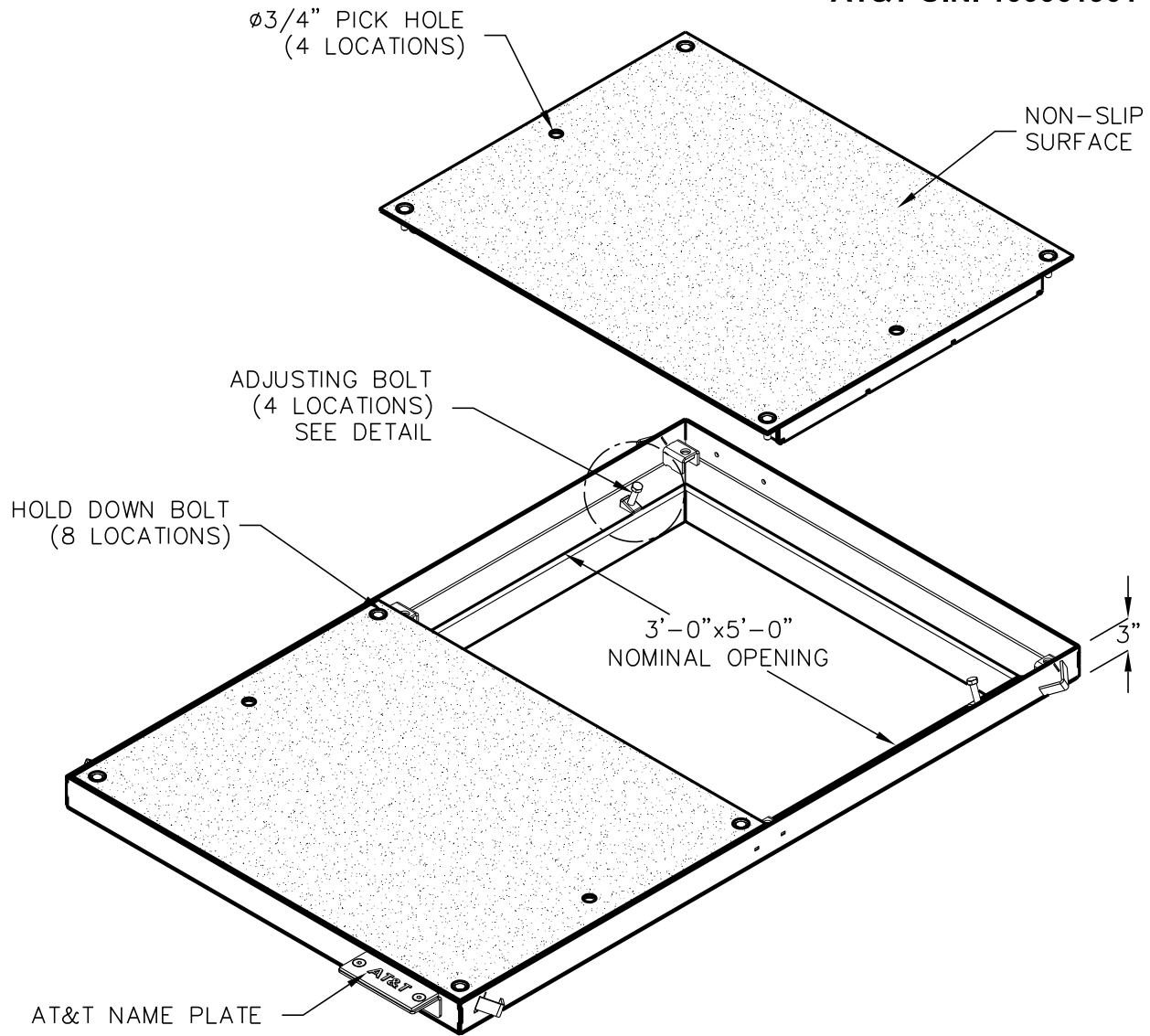
at&t Northern California
Nevada

3'-0" x 5'-0"

ACCESS COVER

PEDESTRIAN RATED BOLT DOWN/Drag OFF
ADJUSTABLE FRAME

AT&T OIN: 100061901



SKIRTED STYLE HATCH
MOUNTING DETAIL

WEIGHT: 395 LBS



Jensen Precast reserves the right to make changes to product design and/or dimensions without notice. Please contact Jensen Precast whenever necessary for confirmation or advice on product design.