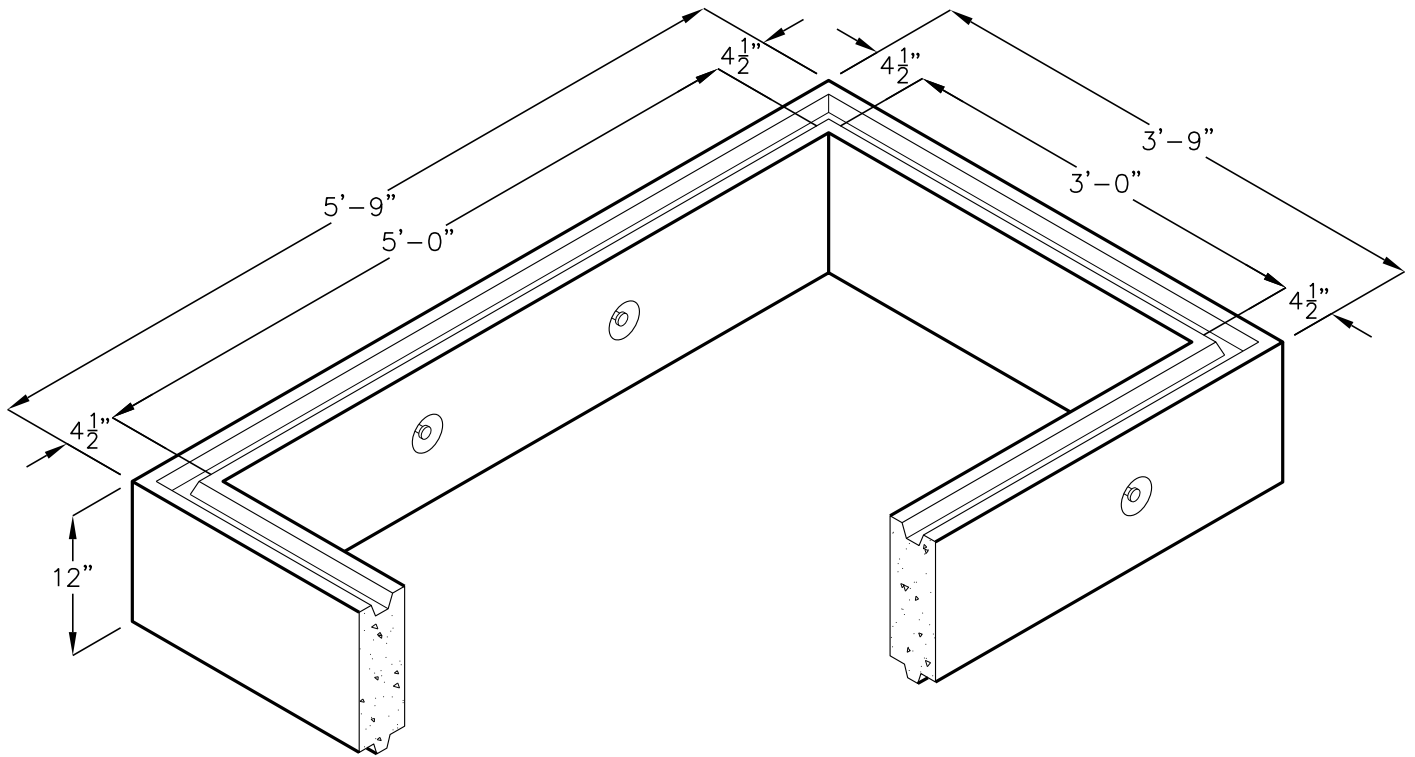




at&t Northern California  
Nevada

# 3'-0"x5'-0"x12" AT&T SUB-SURFACE ENCLOSURE EXTENSION

AT&T OIN: 100061964



WEIGHT: 975 LBS

F 8/17/2015 RS3512.DWG ©2015

**JENSEN**  
PRECAST EST. 1968

Jensen Precast reserves the right to make changes to product design and/or dimensions without notice. Please contact Jensen Precast whenever necessary for confirmation or advice on product design.