

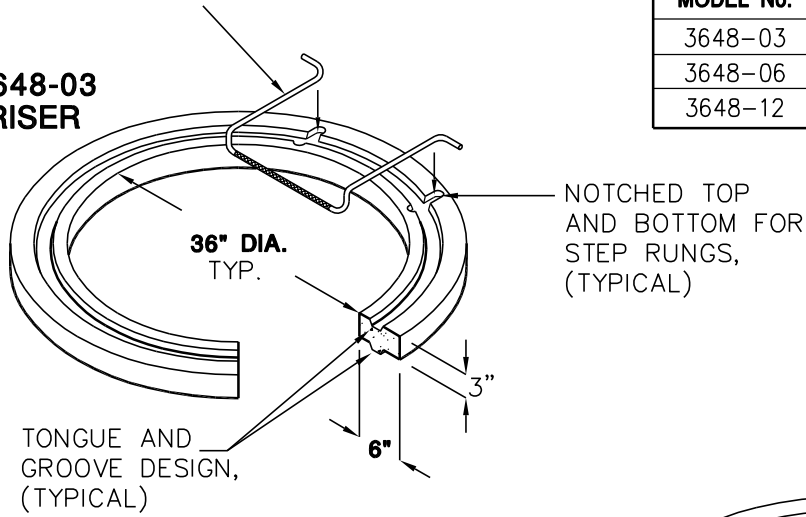
# GRADE RINGS/RISERS

36" INSIDE DIAMETER

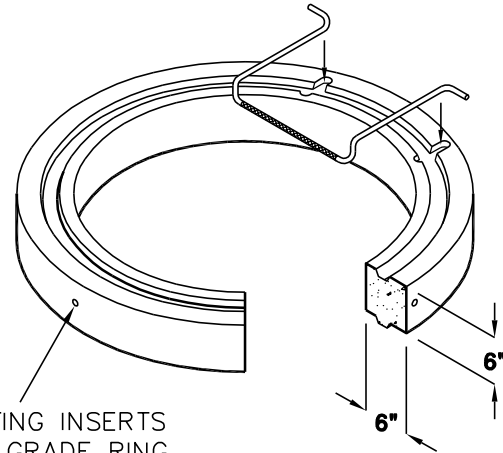
STEP RUNGS AVAILABLE  
(SEE HARDWARE/APPURTENANCES  
SECTION FOR DETAILS)

MODEL No.	HEIGHT	WEIGHT
3648-03	3"	210 LBS.
3648-06	6"	420 LBS.
3648-12	12"	840 LBS.

**3648-03  
RISER**

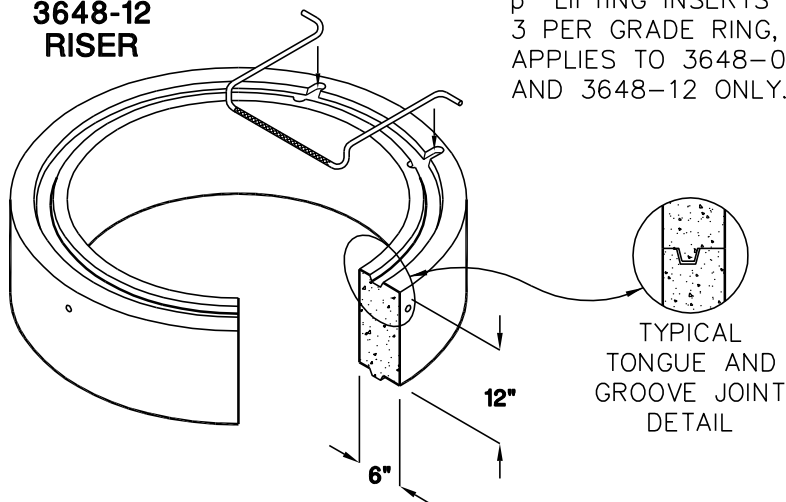


**3648-06  
RISER**



p" LIFTING INSERTS  
3 PER GRADE RING,  
APPLIES TO 3648-06  
AND 3648-12 ONLY.

**3648-12  
RISER**



FOR COMPLETE DESIGN  
AND PRODUCT INFORMATION,  
CONTACT JENSEN PRECAST.