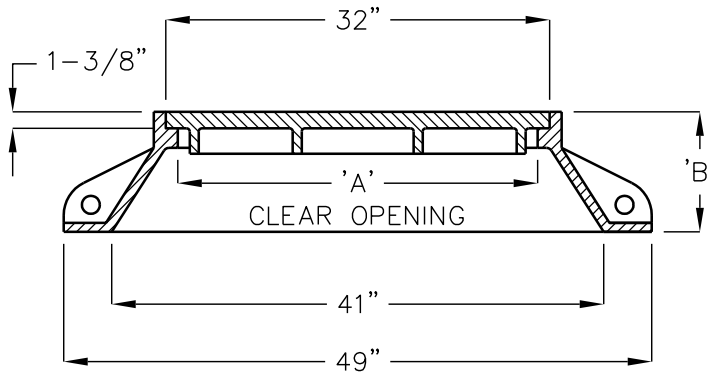
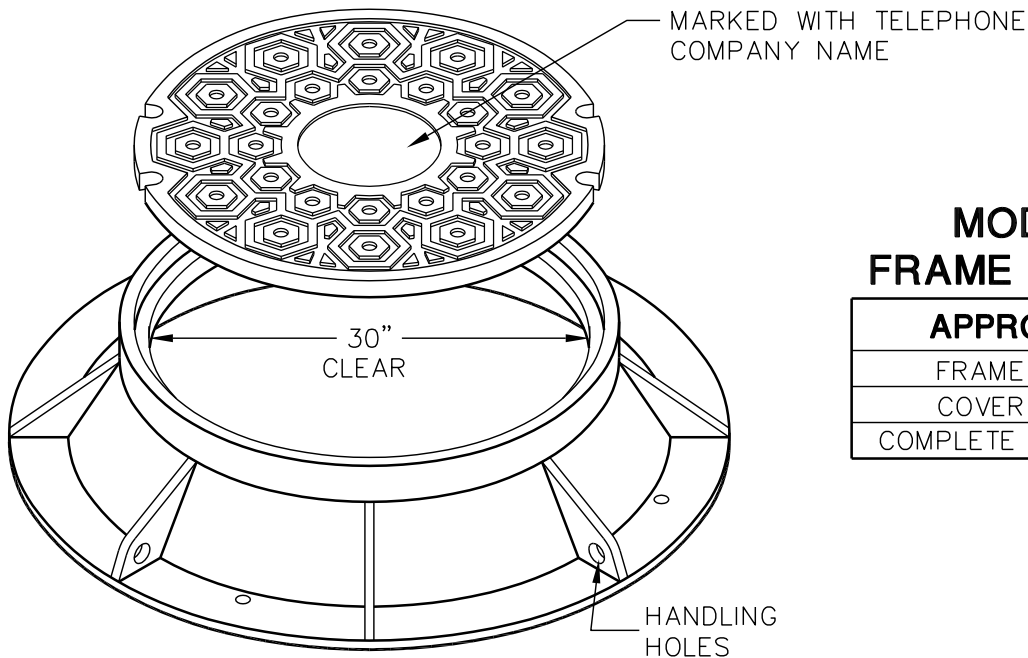


MANHOLE FRAMES AND COVERS



OPTIONAL FRAME & COVER TYPES			
FRAME TYPE	'A'	'B'	MODEL NO.
† * B	30"	10"	B-30
* SB	30"	6"	SB-30
** R	30"	1-1/2"	R-30

- * FULL TRAFFIC
- ** NON TRAFFIC (SIDEWALK ONLY)
- † STANDARD STOCKED FRAME AND COVER



MODEL B-30 FRAME AND COVER

APPROX. WEIGHT	
FRAME	465 LBS.
COVER	315 LBS.
COMPLETE SET	780 LBS.

B-TYPE FRAME AND COVER 30" CLEAR OPENING (MODEL B-30 SHOWN)

FOR COMPLETE DESIGN,
AND PRODUCT INFORMATION,
CONTACT JENSEN PRECAST.