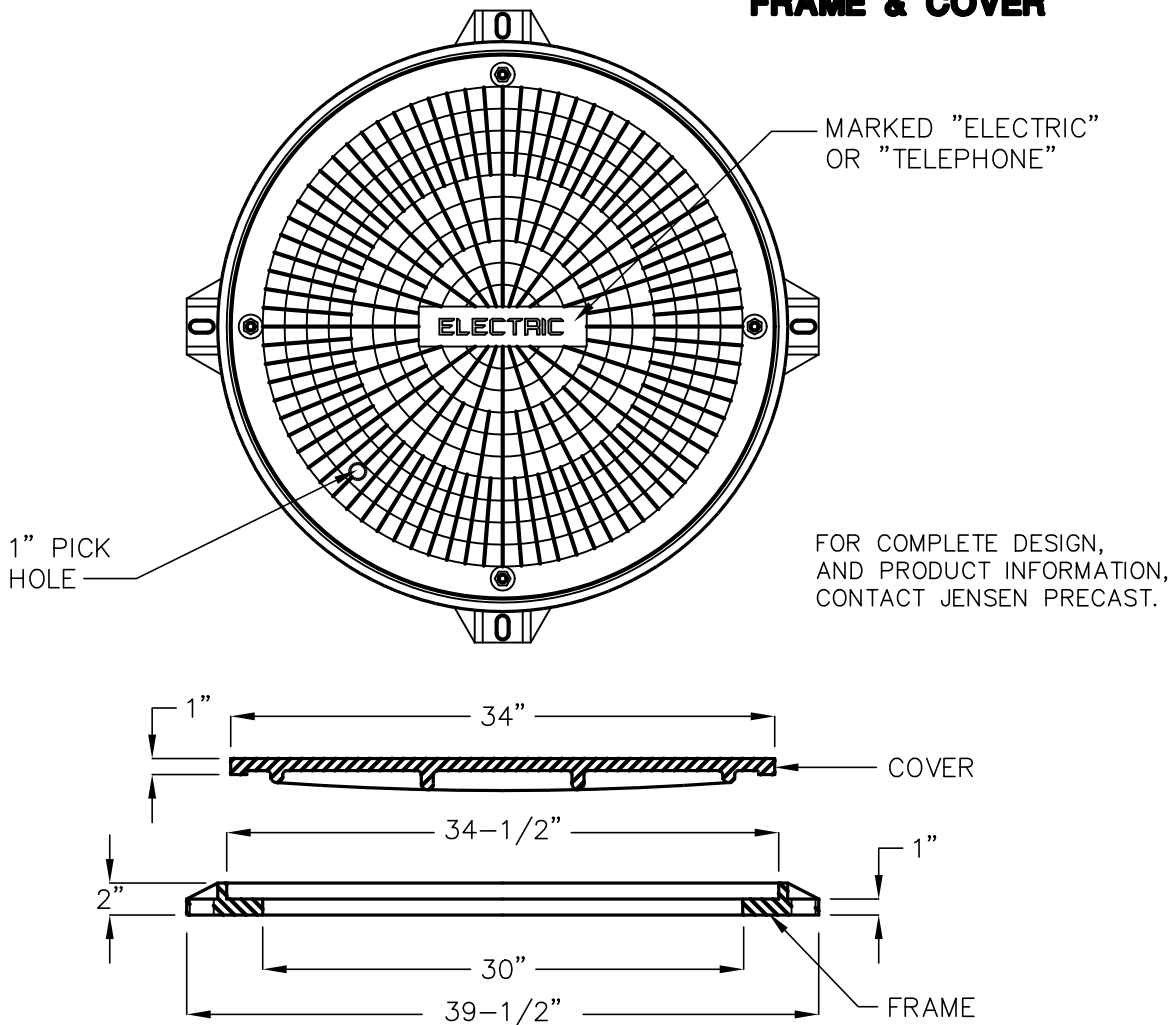


# 30" CLEAR OPENING FRAME & COVER



## GENERAL INFORMATION

- ◆ ALL MATERIALS USED IN MANUFACTURING SHALL CONFORM TO ASTM A48-83.
- ◆ FRAME & COVER BEARING SURFACES MACHINED TO ASSURE CLOSE, QUIET FIT.
- ◆ CASTINGS SHALL BE DIPPED IN BLACK BITUMINOUS PAINT
- ◆ STANDARD COVER MARKINGS AVAILABLE: "SANITARY SEWER", "STORM SEWER", OR AS PER REQUIRED LETTER DESIGNATION.
- ◆ NOTE: FOUR ONE HALF INCH STAINLESS STEEL HEX HEAD BOLTS SUPPLIED FOR EACH BOLT DOWN COVER. THE BOLT SHALL BE AMERICAN NATIONAL COURSE THREAD. COVER SHALL BE COUNTER BORED TO ALLOW BOLTS TO BE FLUSH WITH TOP OF COVER. 1/8" x 1/2" FLAT NEOPRENE GASKET AVAILABLE.