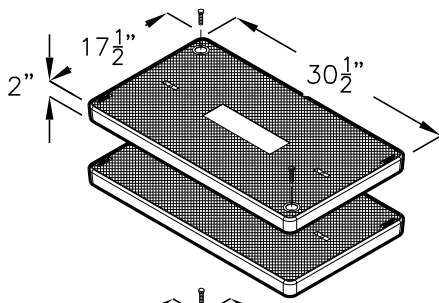
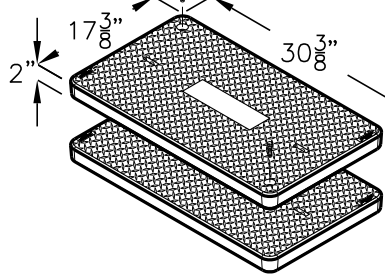


# HN1730 ELECTRICAL BOX

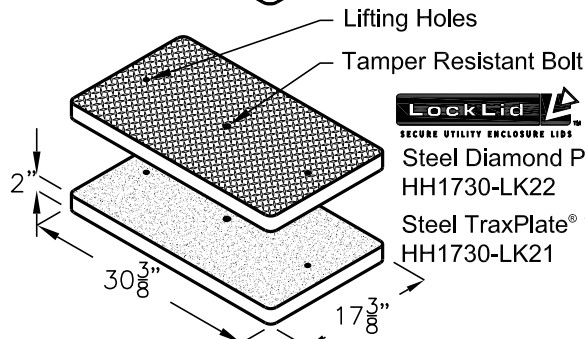
Compare to:  
Christy® N36  
Brooks Products® #66



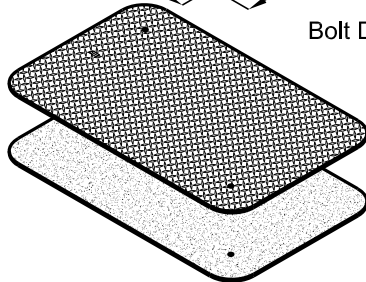
HPC1730-T15-L01  
HPC1730-T22-L01  
Polymer Concrete  
Bolt Down Lid  
  
HPC1730-T15-L02  
HPC1730-T15-L02  
Polymer Concrete  
Non-Bolt Down Lid



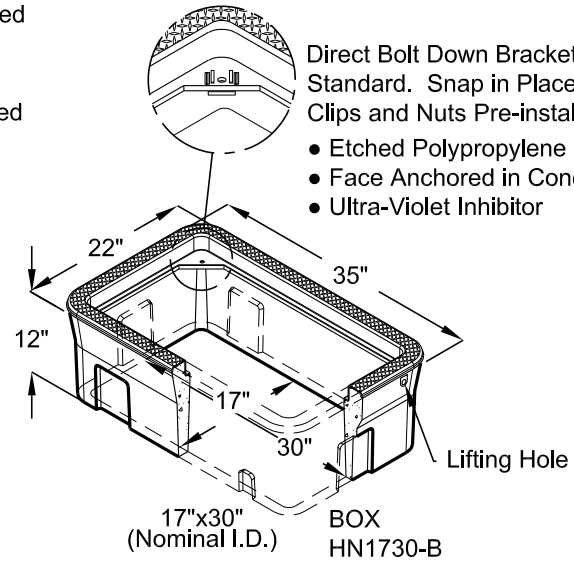
HN1730-L01  
Concrete Steel Reinforced  
Bolt Down Lid  
  
HN1730-L02  
Concrete Steel Reinforced  
Non-Bolt Down Lid



Bolt Down Cover Options\*\*



Steel Diamond Plate\*  
HN1730-C01  
  
Steel TraxPlate® \*  
HN1730-C03



Direct Bolt Down Brackets  
Standard. Snap in Place  
Clips and Nuts Pre-installed.  
• Etched Polypropylene Face  
• Face Anchored in Concrete  
• Ultra-Violet Inhibitor

PART NO.	PRODUCT	DESCRIPTION	APPROX. WEIGHT	QTY. PER PALLET
HN1730-B	BOX	17"x30"x12" Reinforced Concrete Non-Traffic Box	175	8
HN1730-E	EXTENSION	17"x30"x12" Reinforced Concrete Extension	180	8
HN1730-C01	COVER	Steel Diamond Plate Bolt Down Cover	64	
HN1730-C03	COVER	Steel Traxplate® Slip Resistant Bolt Down Cover	64	
HN1730-C05	COVER	Aluminum Traxplate® Slip Resistant Bolt Down Cover	42	
HN1730-L01	LID	Concrete Steel Reinforced Bolt Down Lid	86	
HN1730-L02	LID	Concrete Steel Reinforced Non-Bolt Down Lid	86	
HH1730-LK21	LID	LockLid™ K-Series Steel TraxPlate® Slip Resistant Non-Traffic *** (Order keys and Lifting Picks separately)	75	
HH1730-LK23	LID	LockLid™ K-Series Aluminum TraxPlate® Slip Resistant Non-Traffic*** (Order keys and Lifting Picks separately)	55	
HPC1730-T15-L01	LID	Polymer Concrete Bolt Down lid - Tier 15 Rated	72	
HPC1730-T22-L01	LID	Polymer Concrete Bolt Down lid - Tier 22 Rated	72	
HPC1730-T15-L02	LID	Polymer Concrete Non-Bolt Down lid - Tier 15 Rated	72	
HPC1730-T22-L02	LID	Polymer Concrete Non-Bolt Down lid - Tier 22 Rated	72	

Bolts sold separately for bolt down lids and covers. See hardware sheet for options.

Galvanizing available on all steel covers and lids.

\* Also available in aluminum

\*\* Also available in non-bolt down

\*\*\* Also available in diamond plate

JENSEN®, JENSEN PRECAST®, TRAXPLATE®, and LOCKLID™ are trademarks owned by Jensen Enterprises. All other trademarks are the property of their respective owners. Jensen Precast reserves the right to make changes to product design and/or dimensions without notice. Please contact Jensen Precast whenever necessary for confirmation or advice on product design.

