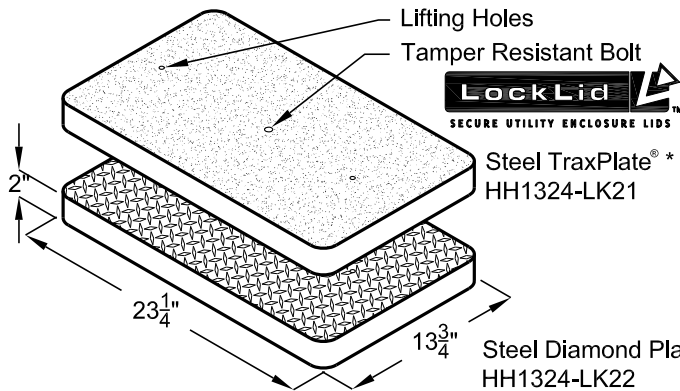
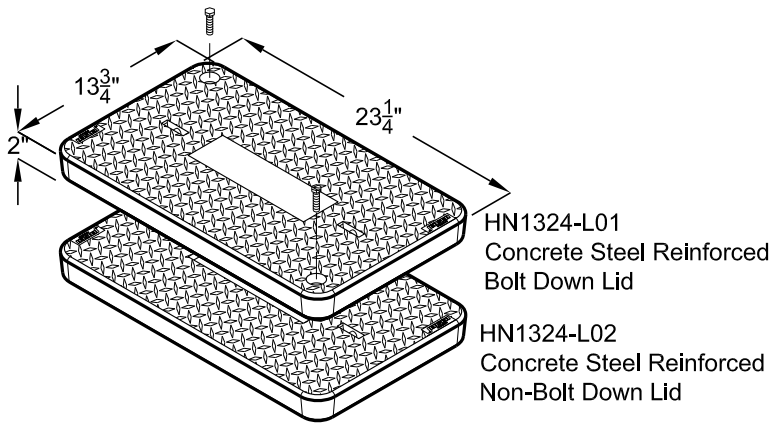


HN1324 ELECTRICAL BOX

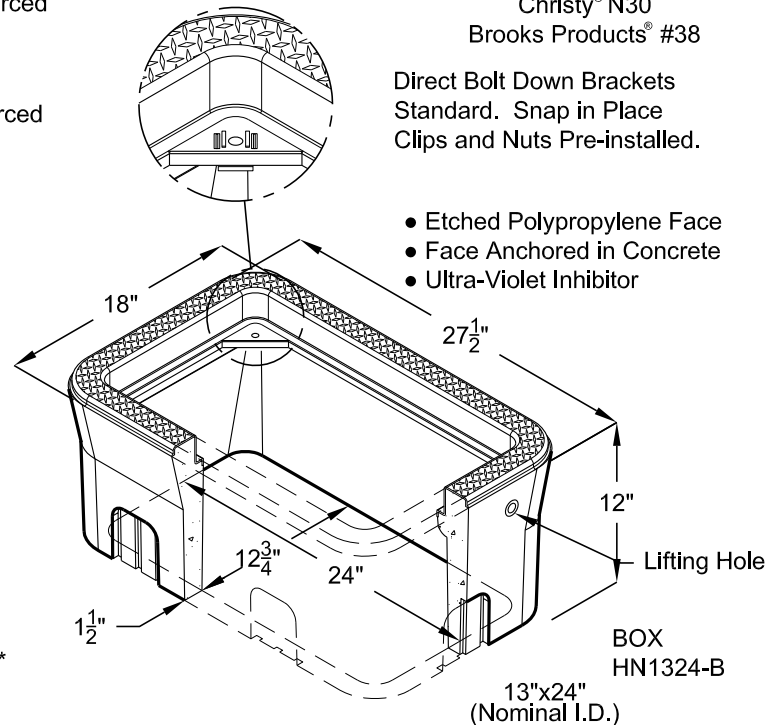
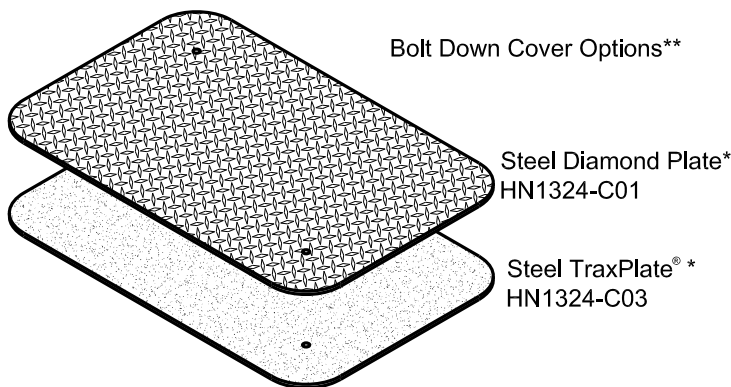
Compare to:
Christy® N30
Brooks Products® #38

Direct Bolt Down Brackets
Standard. Snap in Place
Clips and Nuts Pre-installed.

- Etched Polypropylene Face
- Face Anchored in Concrete
- Ultra-Violet Inhibitor



Bolt Down Cover Options**



PART NO.	PRODUCT	DESCRIPTION	APPROX. WEIGHT	QTY. PER PALLET
HN1324-B	BOX	13"x24"x12" Reinforced Concrete Non-Traffic Box	156	16
HN1324-E	EXTENSION	13"x24"x12" Reinforced Concrete Extension	160	16
HN1324-C01	COVER	Steel Diamond Plate Bolt Down Cover	40	
HN1324-C03	COVER	Steel Traxplate® Slip Resistant Bolt Down Cover	40	
HN1324-C05	COVER	Aluminum Traxplate® Slip Resistant Bolt Down Cover	28	
HN1324-L01	LID	Concrete Steel Reinforced Bolt Down Lid	49	
HN1324-L02	LID	Concrete Steel Reinforced Non-Bolt Down Lid	49	
HH1324-LK21	LID	LockLid™ K-Series Steel TraxPlate® Slip Resistant Non-Traffic *** (Order keys and Lifting Picks separately)	47	
HH1324-LK23	LID	LockLid™ K-Series Aluminum TraxPlate® Slip Resistant Non-Traffic*** (Order keys and Lifting Picks separately)	39	

Bolts sold separately for bolt down lids and covers. See hardware sheet for options.

Galvanizing available on all steel covers and lids.

* Also available in aluminum

** Also available in non-bolt down

*** Also available in diamond plate

JENSEN®, JENSEN PRECAST®, TRAXPLATE®, and LOCKLID™ are trademarks owned by Jensen Enterprises. All other trademarks are the property of their respective owners. Jensen Precast reserves the right to make changes to product design and/or dimensions without notice. Please contact Jensen Precast whenever necessary for confirmation or advice on product design.

3/24/2014 HN1324_K.DWG © 2014 JENSEN PRECAST

JENSEN
PRECAST

JENSENPRECAST.COM