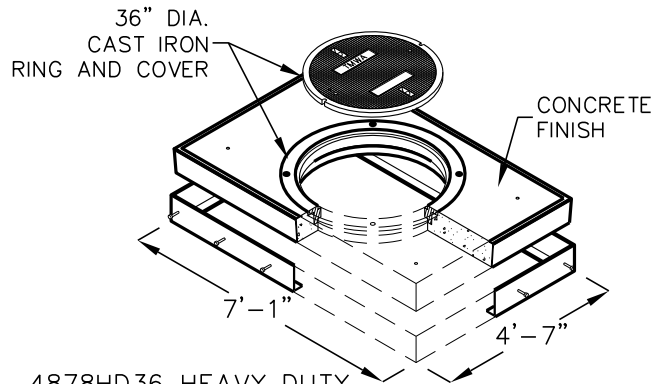
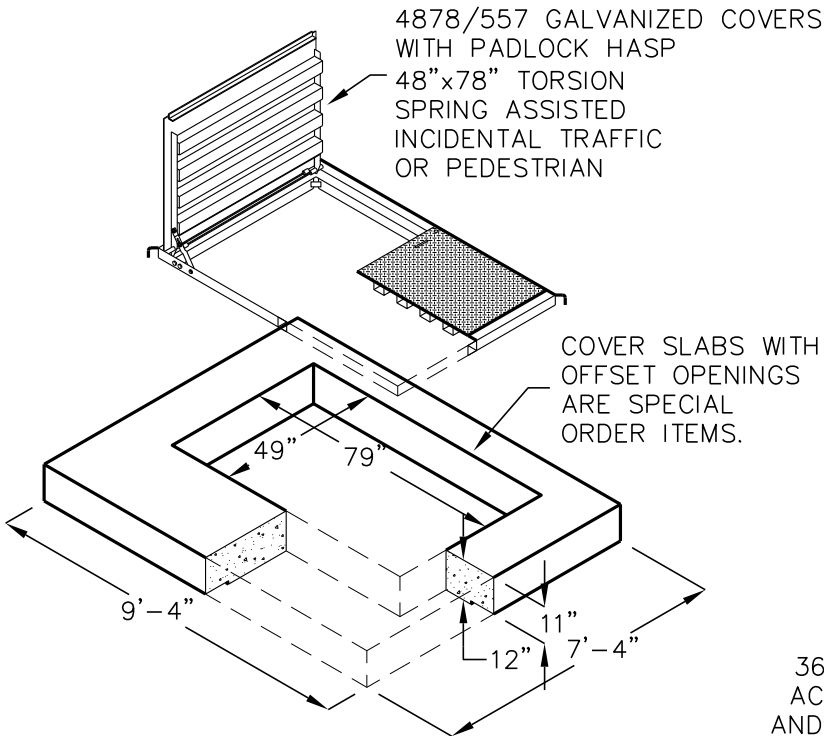
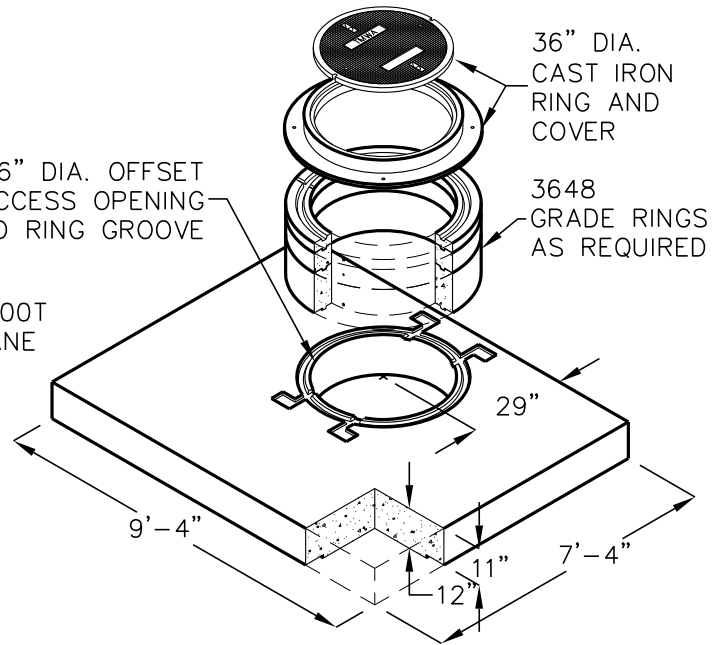
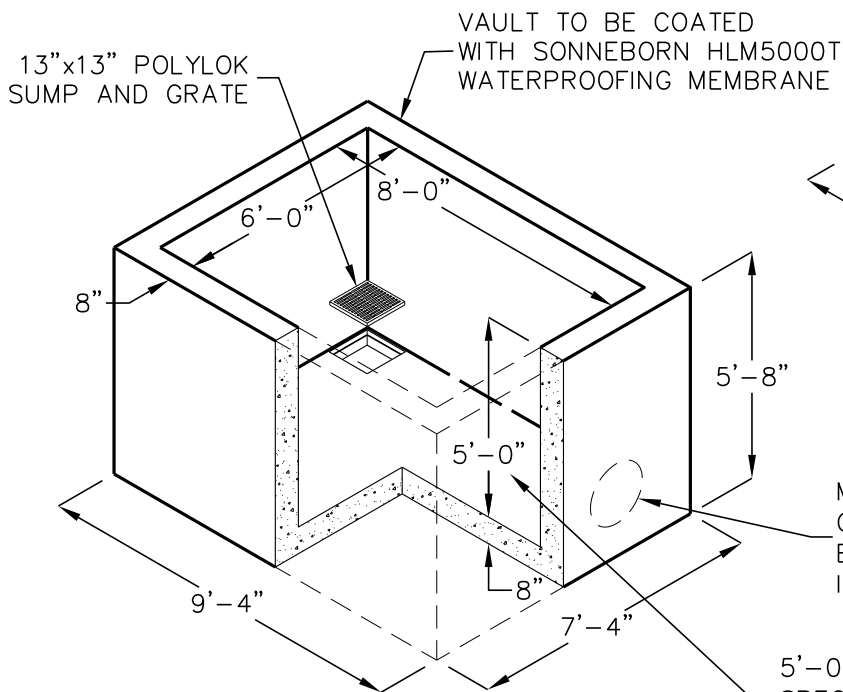


685 TMWA

6'-0"x8'-0"x5'-0"
(NOMINAL INSIDE DIMENSIONS)



4878HD36 HEAVY DUTY EQUIPMENT ACCESS COVER
36" DIA. ACCESS OPENING



MAXIMUM OF ONE 24" HOLE FOR A FULLY GROUTED RIGID PIPE ALLOWED AT EACH WALL. EACH HOLE MUST BE NO CLOSER THAN 8" OFF INSIDE WALL CORNER AND ABOVE FLOOR.

5'-0" HEIGHT STANDARD.
SPECIAL DESIGNS WITH UP TO 8'-0" INSIDE HEIGHT CAN BE MANUFACTURED.

VAULT INCLUDES GALVANIZED LADDER, AND LADDER-UP PER CURRENT TWMA SPECIFICATIONS.

FOR COMPLETE DESIGN AND PRODUCT INFORMATION CONTACT JENSEN PRECAST.

J