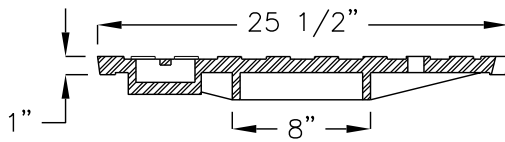
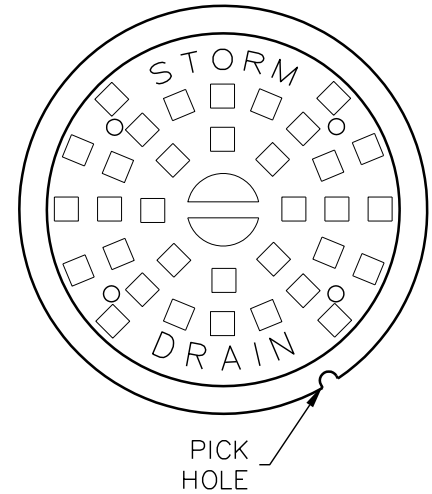
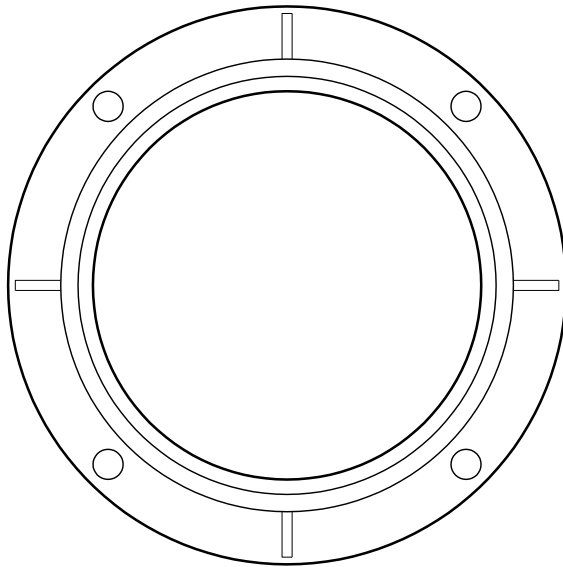
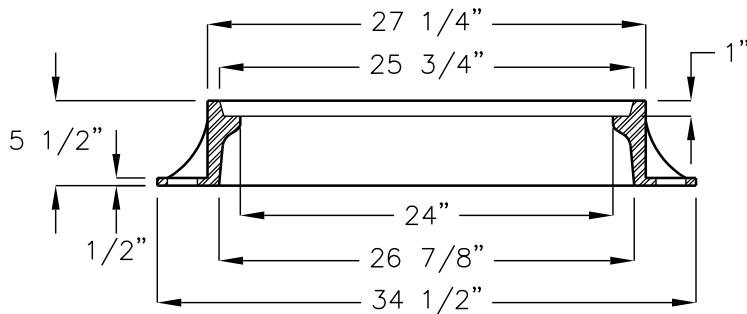
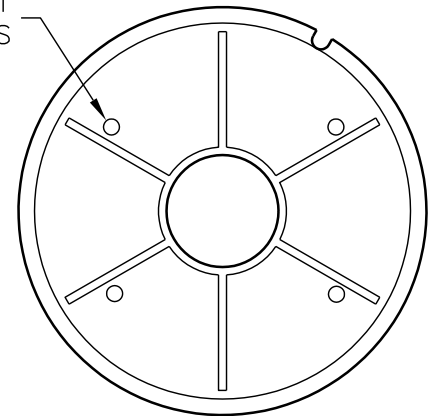


1032 STORM DRAIN FRAME AND COVER



1" VENT HOLES



FOR COMPLETE DESIGN
AND PRODUCT INFORMATION
CONTACT JENSEN PRECAST.

CASTINGS MEET AASHTO M306
H-20 LOADING.
CASTINGS ARE COATED WITH
ASPHALTIC BASED PAINT.
APPROX. WIEGHT: 290 LBS.