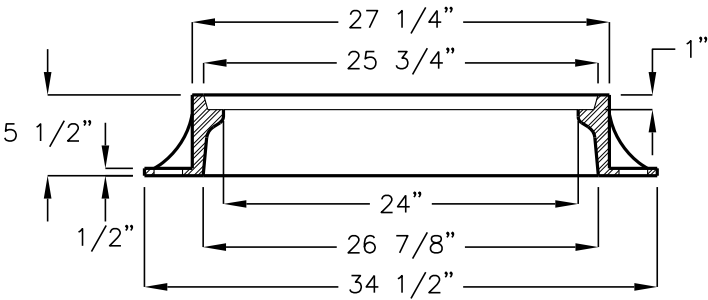
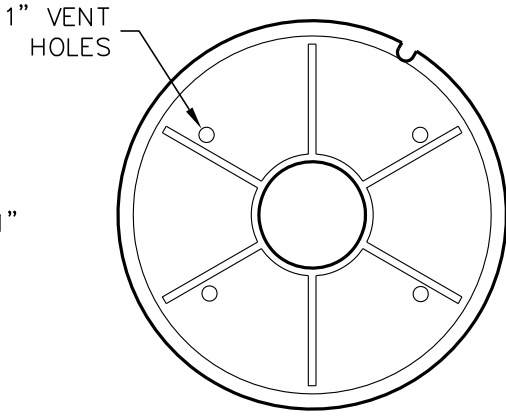
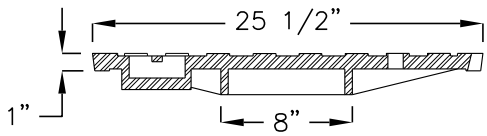
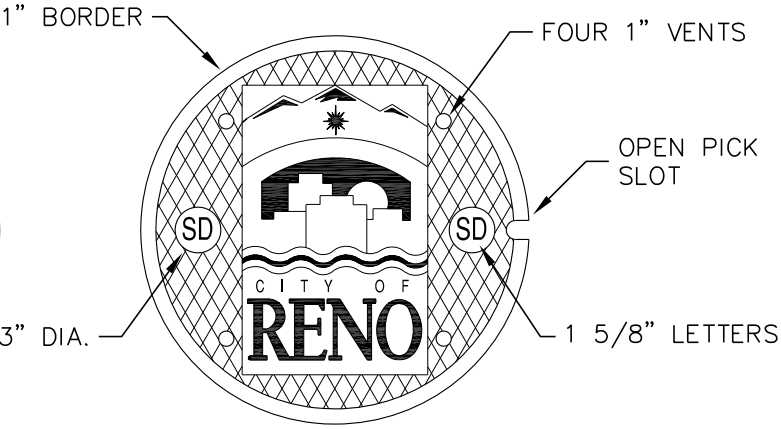
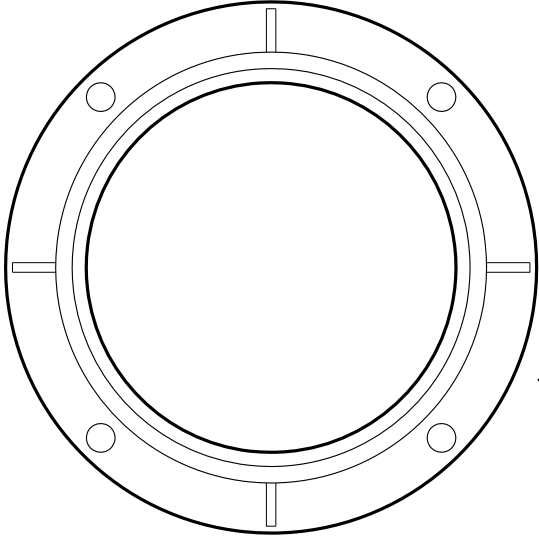


1032 STORM DRAIN FRAME AND COVER



FOR COMPLETE DESIGN
AND PRODUCT INFORMATION
CONTACT JENSEN PRECAST.

CASTINGS MEET SPECIFICATIONS
ASTM A-48, CLASS 35B.
AASHTO M306 AND H-20 WHEEL LOADING.
APPROX. WEIGHT: 290 LBS.

