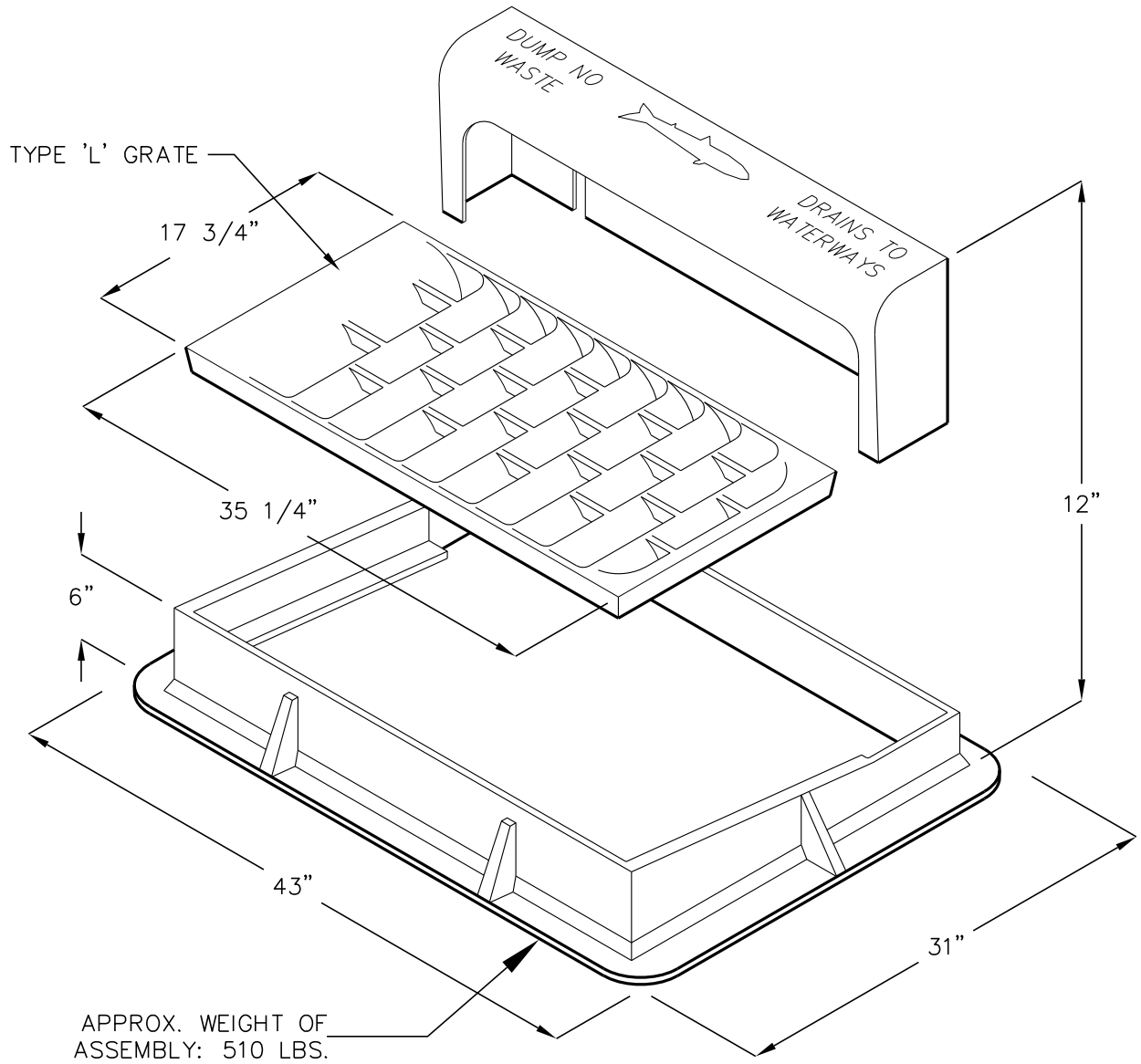


# I3519

24"x36" CURB INLET  
CAST IRON HOOD, FRAME  
AND GRATE



HEAVY DUTY – PROOF LOAD –  
EXCEEDS 16,000 LBS.

FOR COMPLETE DESIGN  
AND PRODUCT INFORMATION  
CONTACT JENSEN PRECAST.

C Jensen Precast reserves the right to make changes to product design and/or dimensions without notice.  
Please contact Jensen Precast whenever necessary for confirmation or advice on product design.

10/16/2017  
I3519.DWG  
©2017

**JENSEN**  
PRECAST  EST. 1968