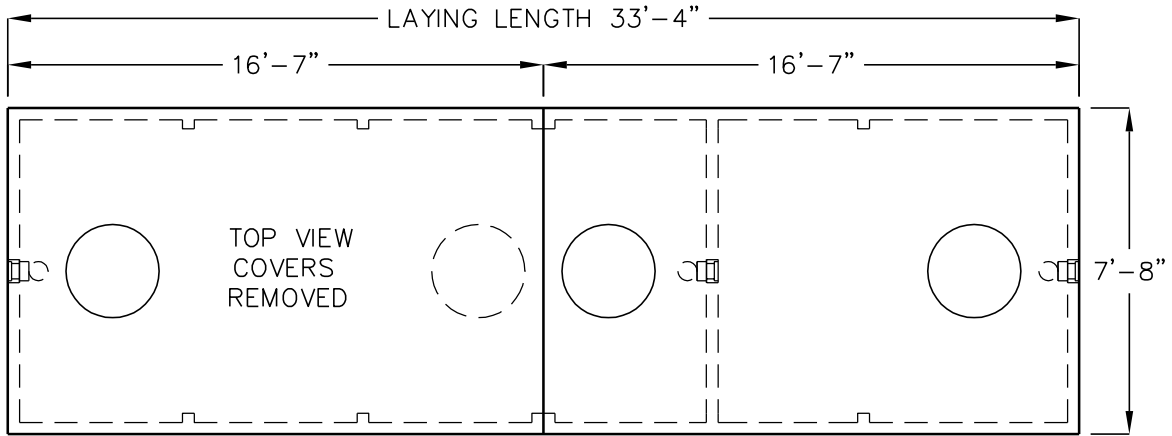
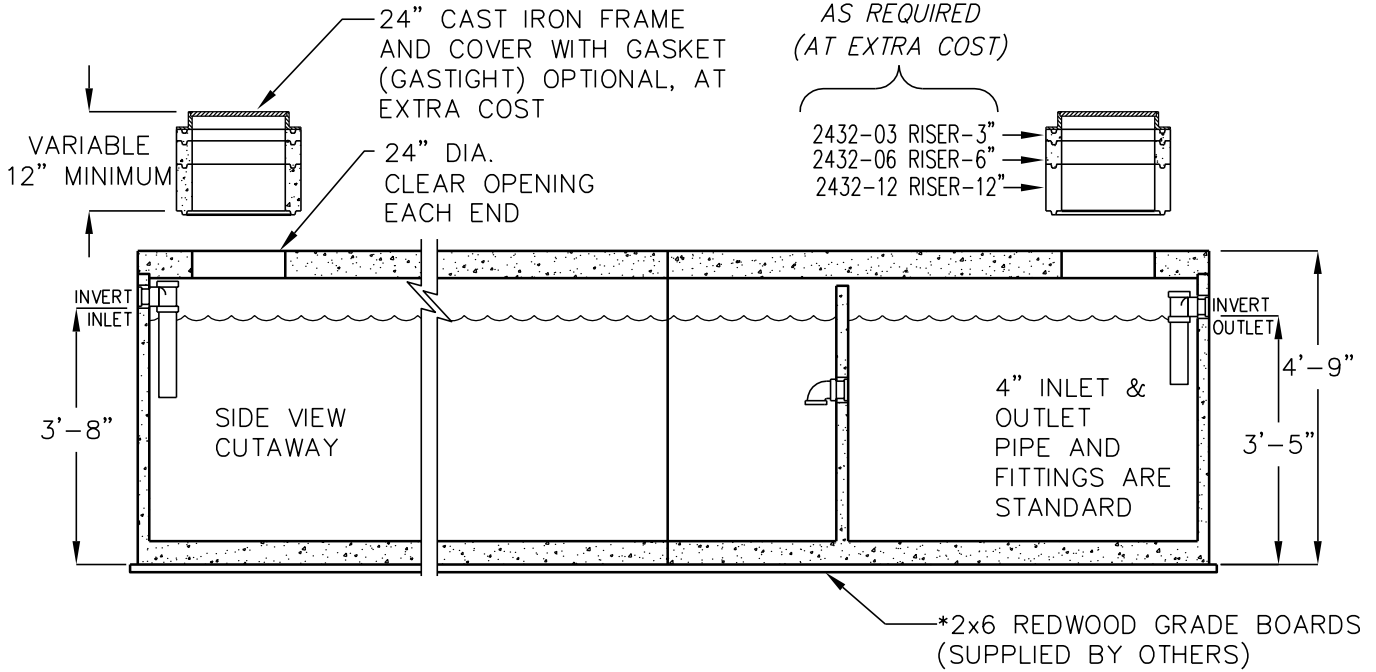


5000 GALLON LOW PROFILE BATTERY SEPTIC TANK

MODEL 2XJP2500



○ = RECOMMENDED RISER/CAST IRON COVER LOCATIONS

○ = OPTIONAL RISER/CAST IRON COVER LOCATIONS

ASSEMBLY SEQUENCE SIDE VIEW

INLET	1 COVER	2 COVER	OUTLET
	1 BASE	2 BASE	

FOR INSTALLATION INSTRUCTIONS, DESIGN AND PRODUCT INFORMATION, CONTACT JENSEN PRECAST.

LIQUID CAPACITY: 5,000 GALLONS.

BOX DESIGN LOAD: H-20 TRAFFIC FROM 1' TO 5' OF SOIL COVER.