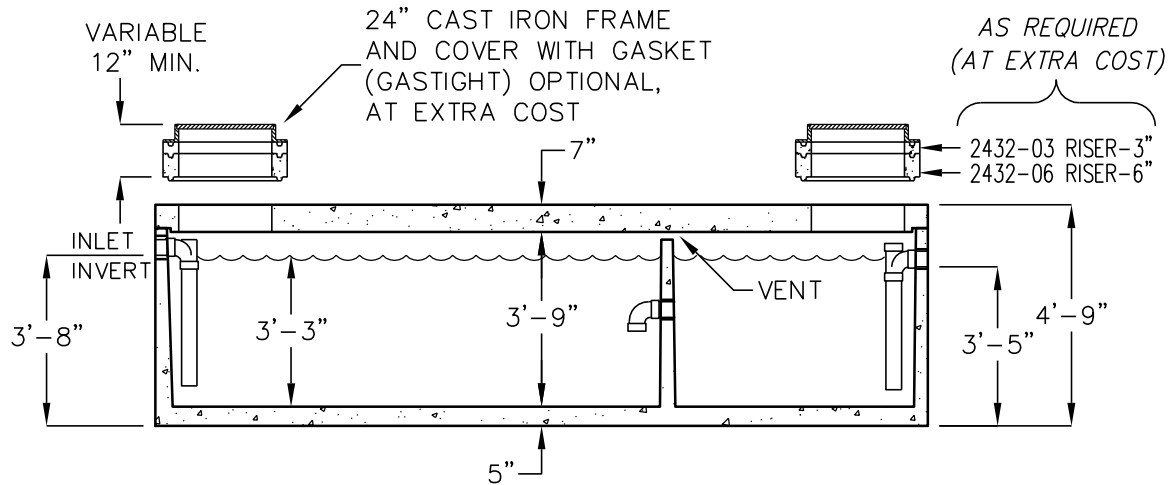
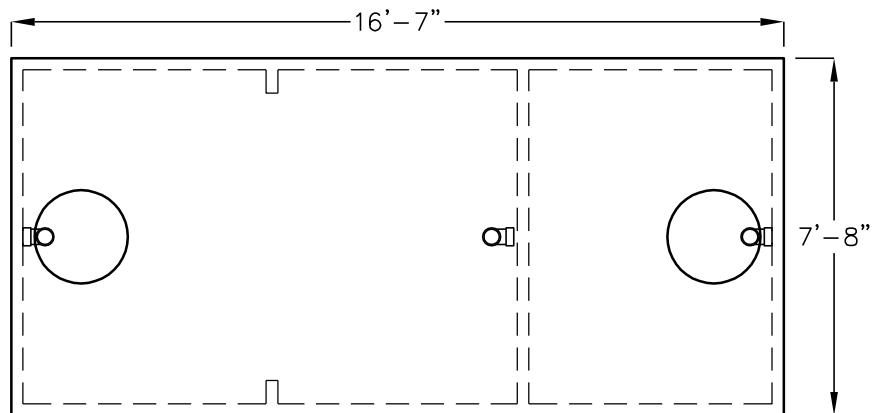


JPU 2500 GALLON LOW PROFILE SEPTIC TANK

MODEL JPU2500
TRAFFIC RATED
ACCEPTED BY UPC®



SIDE VIEW (CUT AWAY)



TOP VIEW

DESIGN LOAD: H-20 TRAFFIC WITH 1' TO 5' EARTH COVER.

WATER TABLE ASSUMED TO BE BELOW BOTTOM OF STRUCTURE.

FOR COMPLETE DESIGN AND PRODUCT INFORMATION CONTACT
JENSEN PRECAST.