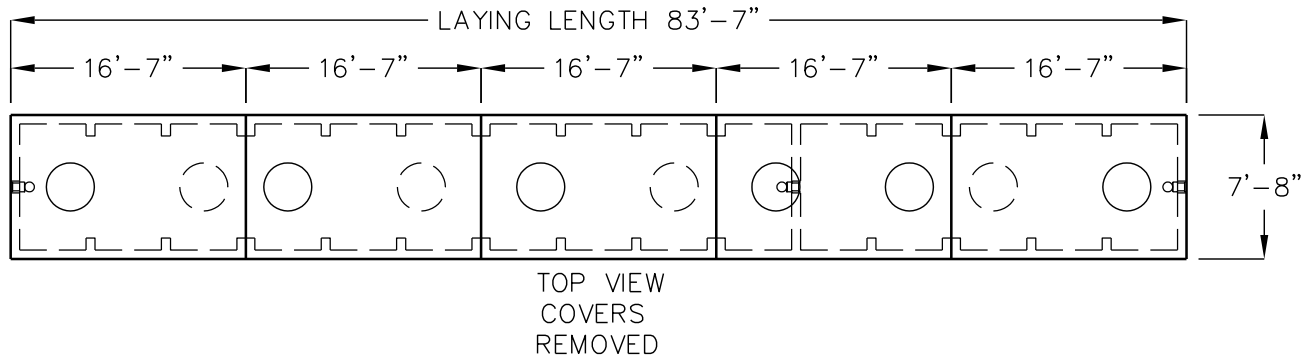
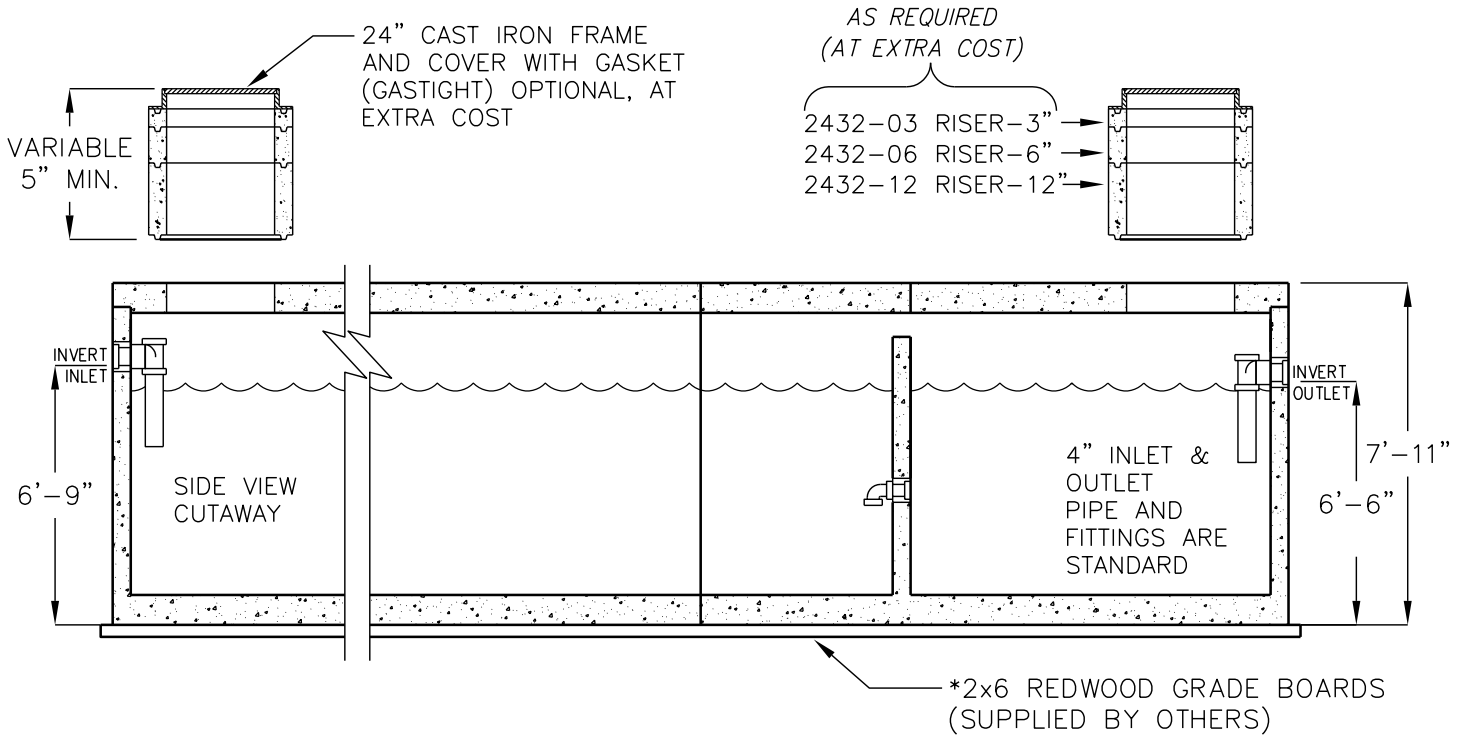


25,000 GALLON BATTERY SEPTIC TANK MODEL 5XJZ5000



- = RECOMMENDED RISER/CAST IRON COVER LOCATIONS
- (dashed) = OPTIONAL RISER/CAST IRON COVER LOCATIONS

ASSEMBLY SEQUENCE
SIDE VIEW

	1 TOP	2 TOP	3 TOP	4 TOP	5 TOP	
INLET	1 BASE	2 BASE	3 BASE	4 BASE	5 BASE	OUTLET

FOR INSTALLATION INSTRUCTIONS,
DESIGN AND PRODUCT INFORMATION,
CONTACT JENSEN PRECAST.

LIQUID CAPACITY: 25,000 GALLONS.
BOX DESIGN LOAD: H-20 TRAFFIC FROM
1' TO 4' OF SOIL COVER.