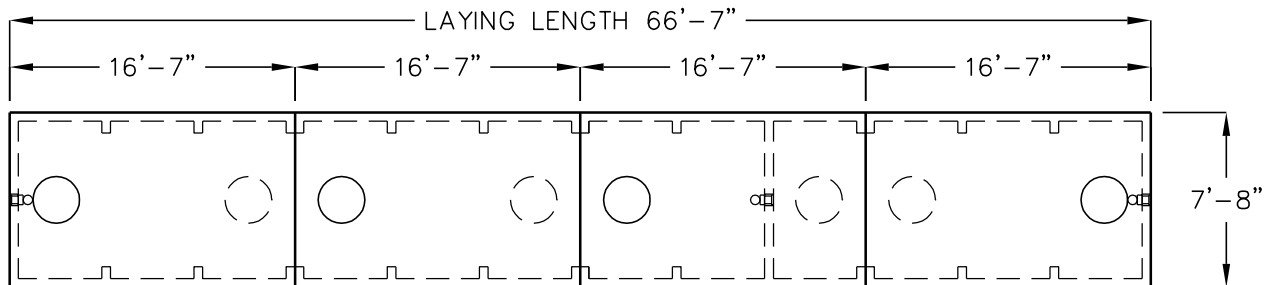
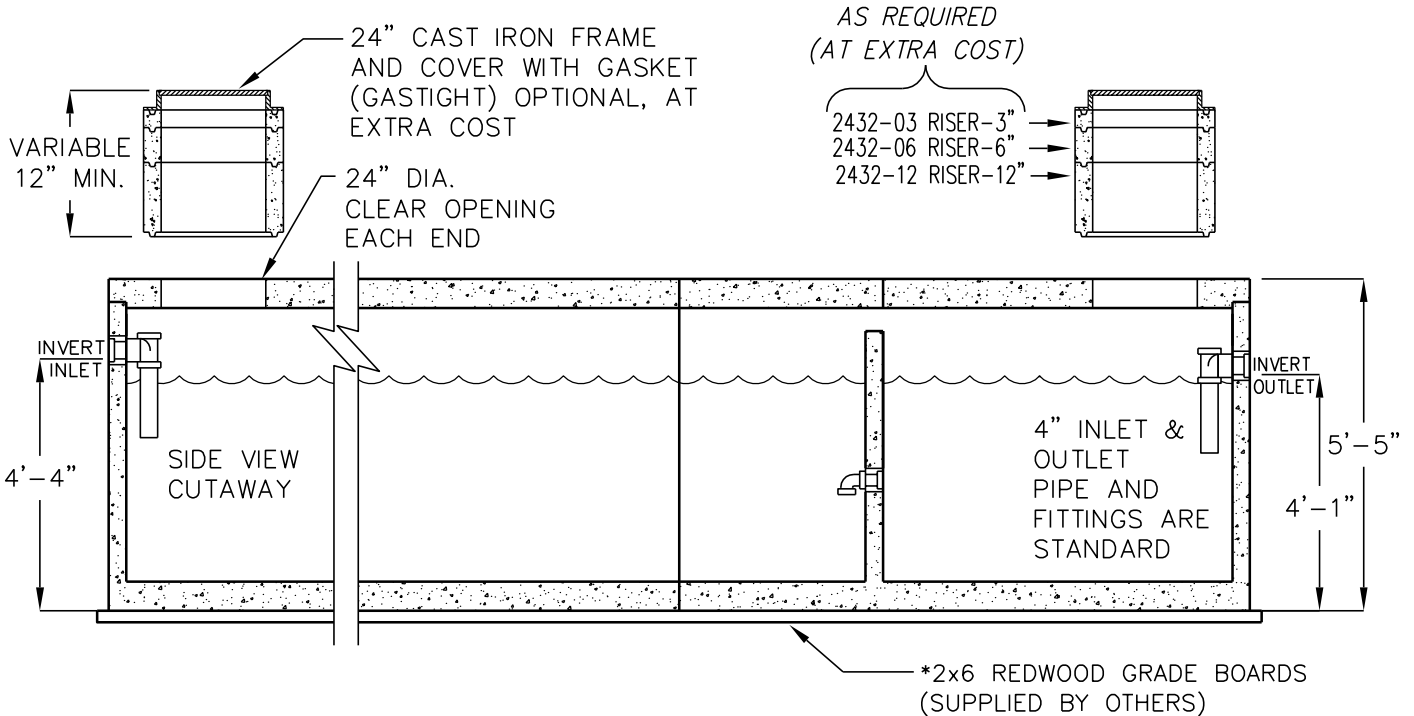


12,000 GALLON LOW PROFILE BATTERY SEPTIC TANK

MODEL 4XJP3000



TOP VIEW
COVERS
REMOVED

- = RECOMMENDED RISER/CAST IRON COVER LOCATIONS
- = OPTIONAL RISER/CAST IRON COVER LOCATIONS

ASSEMBLY SEQUENCE
SIDE VIEW

INLET	1 TOP	2 TOP	3 TOP	4 TOP	OUTLET
	1 BASE	2 BASE	3 BASE	4 BASE	

FOR INSTALLATION INSTRUCTIONS, DESIGN AND PRODUCT INFORMATION, CONTACT JENSEN PRECAST.

LIQUID CAPACITY: 12,000 GALLONS.

BOX DESIGN LOAD: H-20 TRAFFIC FROM 1' TO 5' OF SOIL COVER.