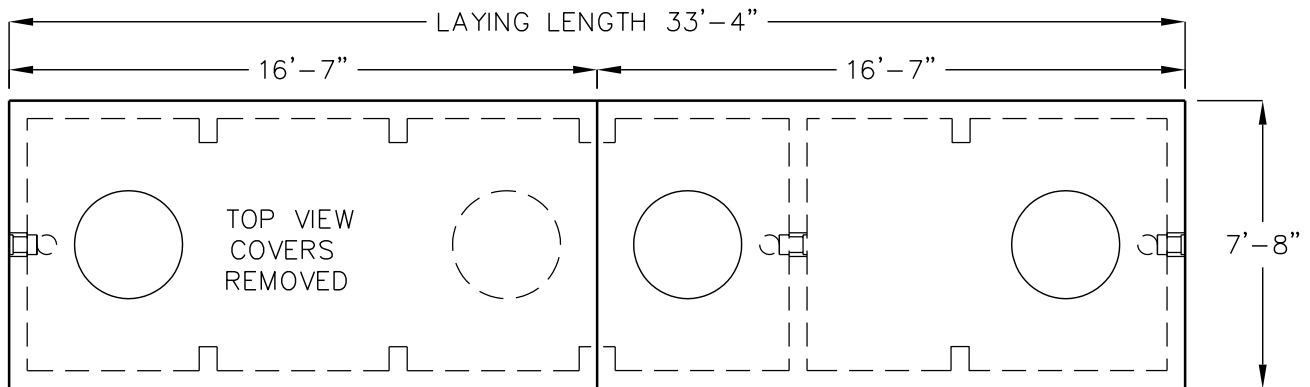
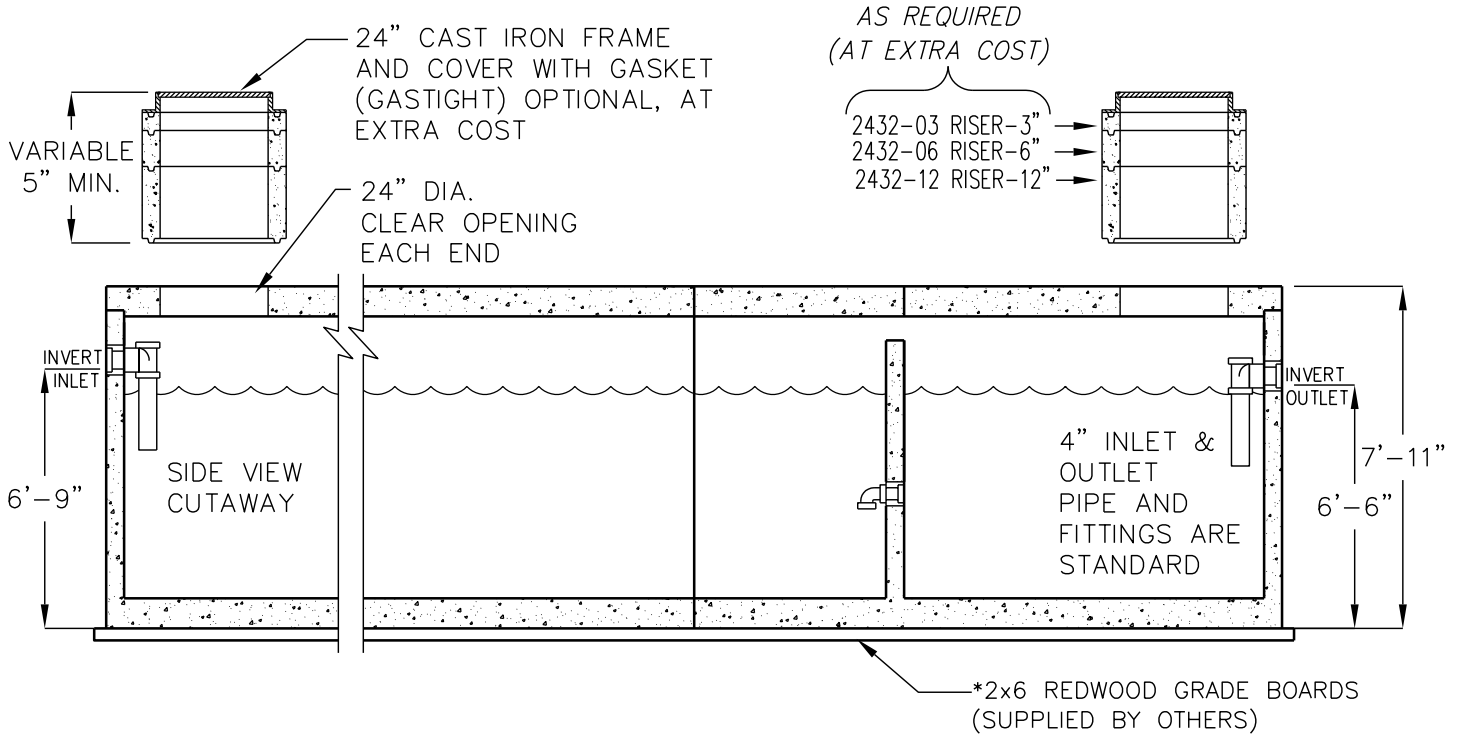


10,000 GALLON BATTERY SEPTIC TANK

MODEL 2XJZ5000



ASSEMBLY SEQUENCE
SIDE VIEW

INLET	1 TOP	2 TOP	OUTLET
	1 BASE	2 BASE	

FOR INSTALLATION INSTRUCTIONS, DESIGN AND PRODUCT INFORMATION, CONTACT JENSEN PRECAST.

LIQUID CAPACITY: 10,000 GALLONS.
BOX DESIGN LOAD: H-20 TRAFFIC FROM 1' TO 4' OF SOIL COVER.