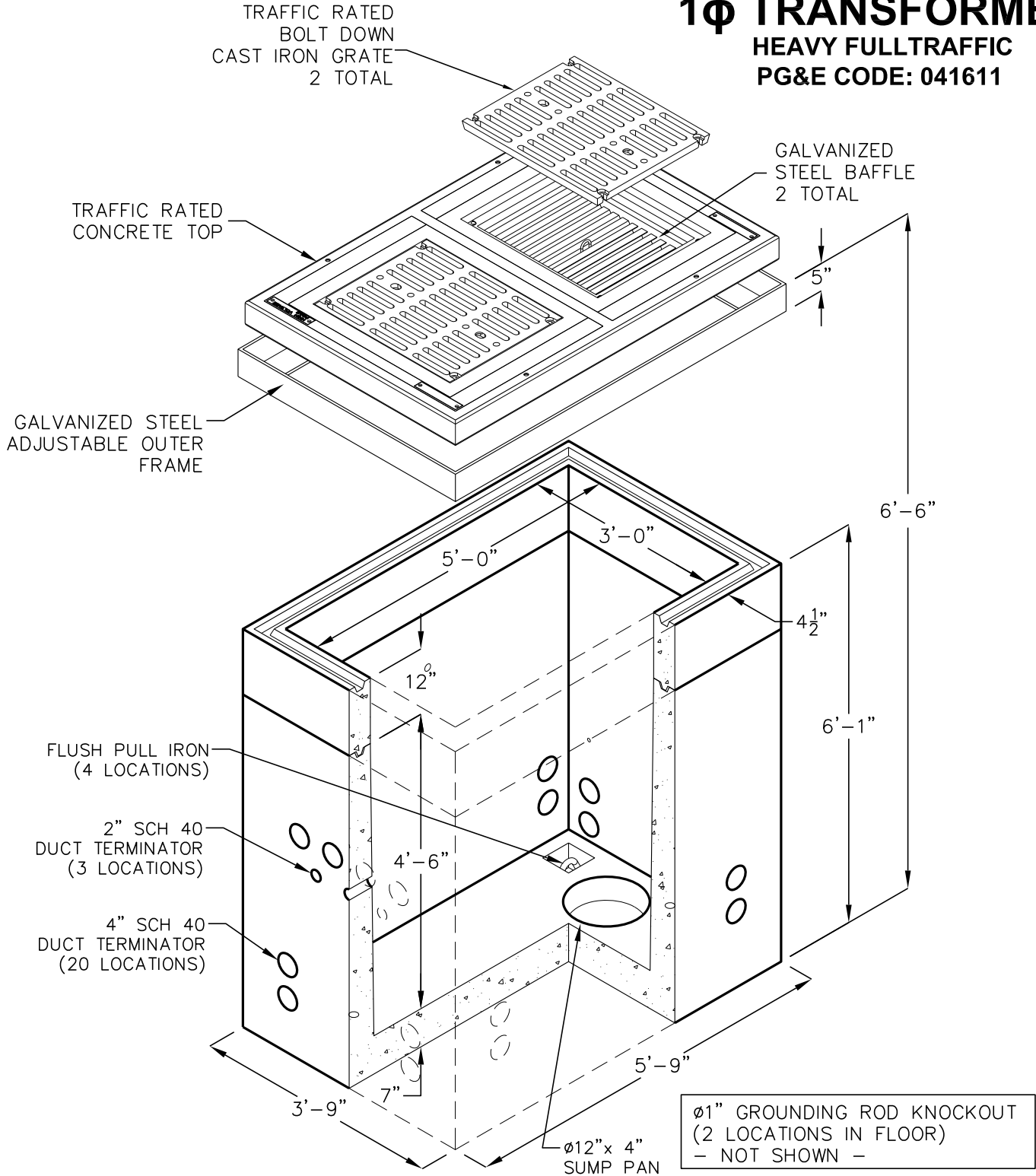




3'-0"x5'-0"x5'-6" (#5) PRIMARY ENCLOSURE 1 ϕ TRANSFORMER HEAVY FULLTRAFFIC PG&E CODE: 041611



MATERIAL LIST (K35HD54PGTX)

PG&E CODE	DESCRIPTION	WEIGHT (LBS)
043588	ENCLOSURE, 3'x5'x4'-6" PG&E	6,410
043362	RISER, 3'x5'x12" PG&E	970
041614	COVER, 3'x5' SPLICE, HVT PG&E	1,860
040339	FRAME, 3660 FVT OUTER PG&E	310



Jensen Precast reserves the right to make changes to product design and/or dimensions without notice. Please contact Jensen Precast whenever necessary for confirmation or advice on product design.