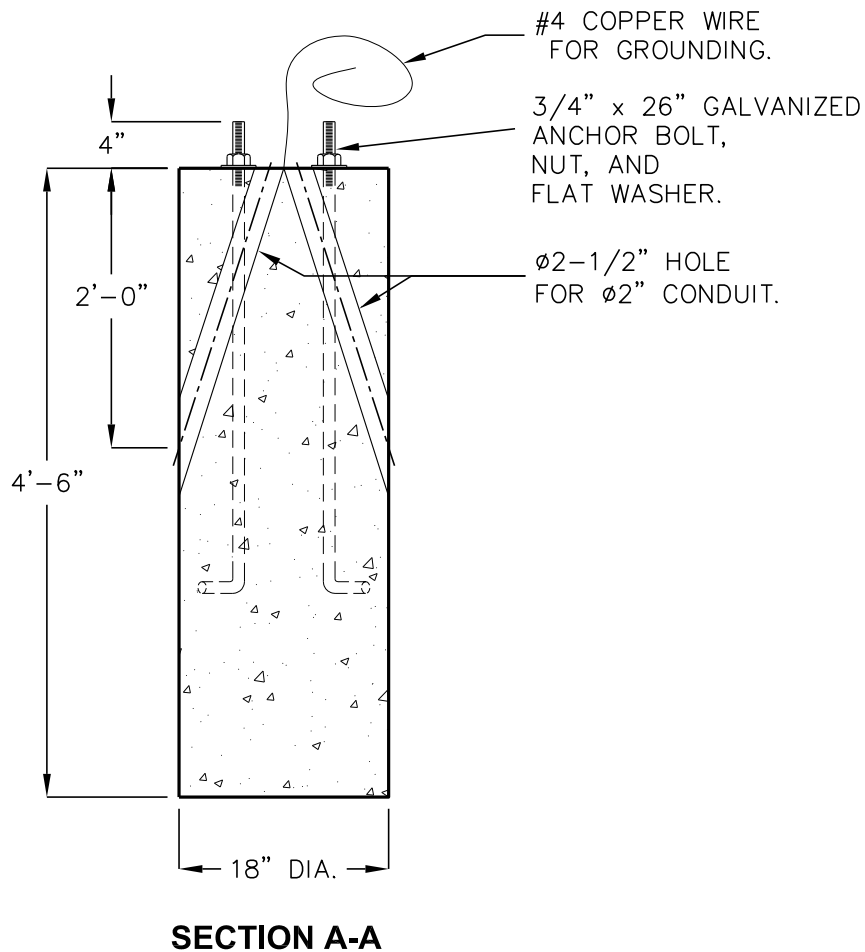
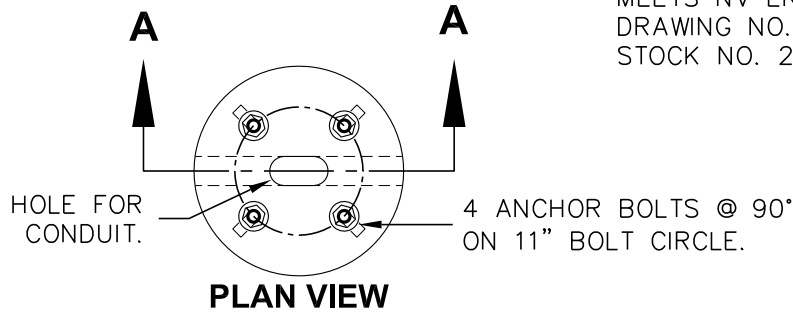


LIGHT POLE BASE MODEL LB0019

18" DIA. x 4'-6"
(NOMINAL DIMENSIONS)

MEETS NV ENERGY SPECS.
DRAWING NO. SLB12 U
STOCK NO. 24-0019



FOR COMPLETE DESIGN AND PRODUCT INFORMATION CONTACT JENSEN PRECAST.