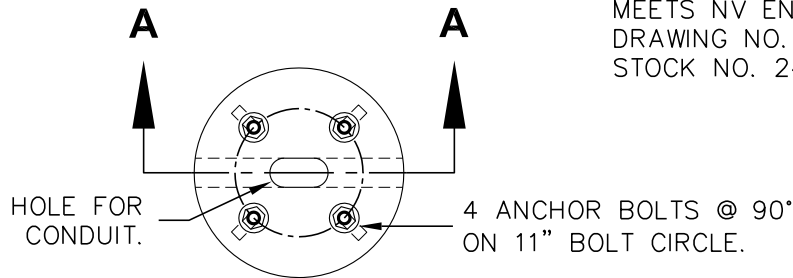


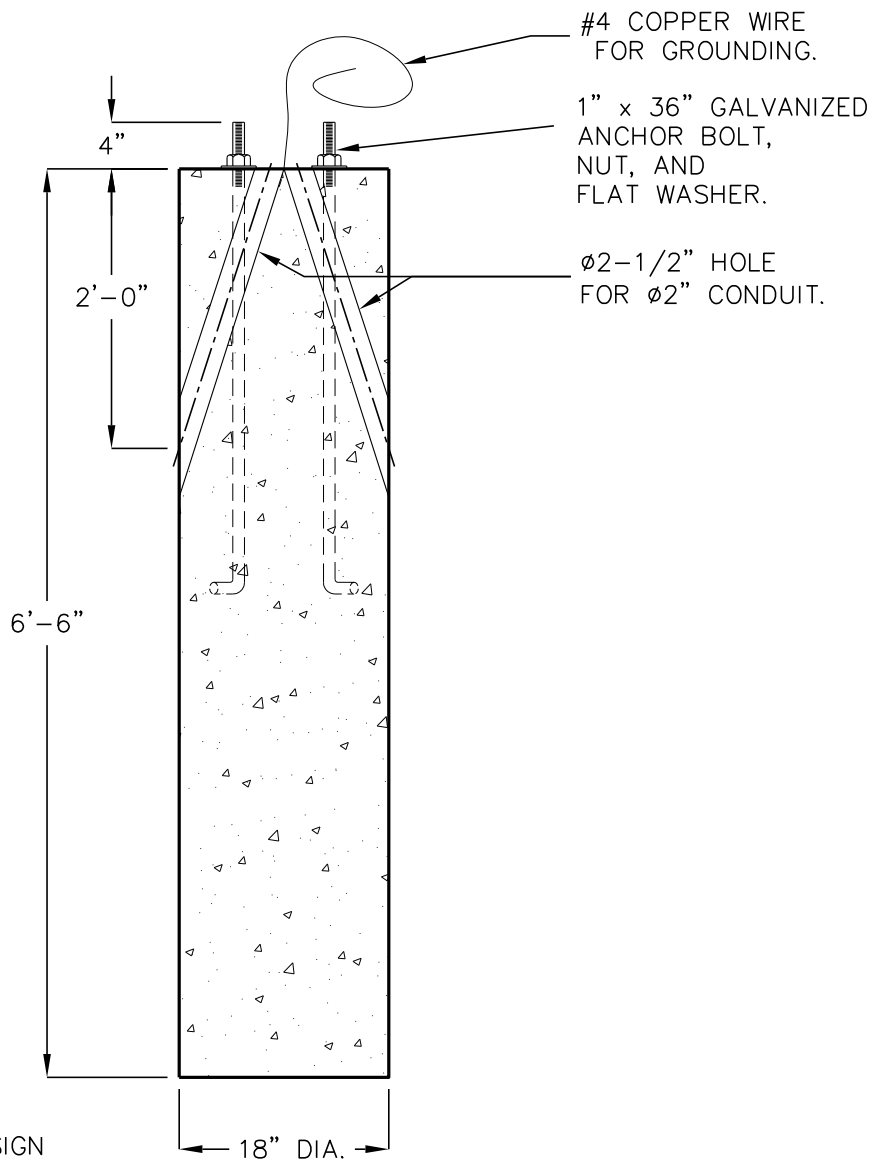
# LIGHT POLE BASE MODEL LB0018

**18" DIA. x6'-6"**  
**(NOMINAL DIMENSIONS)**

MEETS NV ENERGY SPECS.  
DRAWING NO. ODL30H SLB02 U  
STOCK NO. 24-0018



**PLAN VIEW**



**SECTION A-A**

FOR COMPLETE DESIGN  
AND PRODUCT INFORMATION  
CONTACT JENSEN PRECAST.

Jensen Precast reserves the right to make changes to product design  
and/or dimensions without notice. Please contact Jensen Precast whenever  
necessary for confirmation or advice on product design.