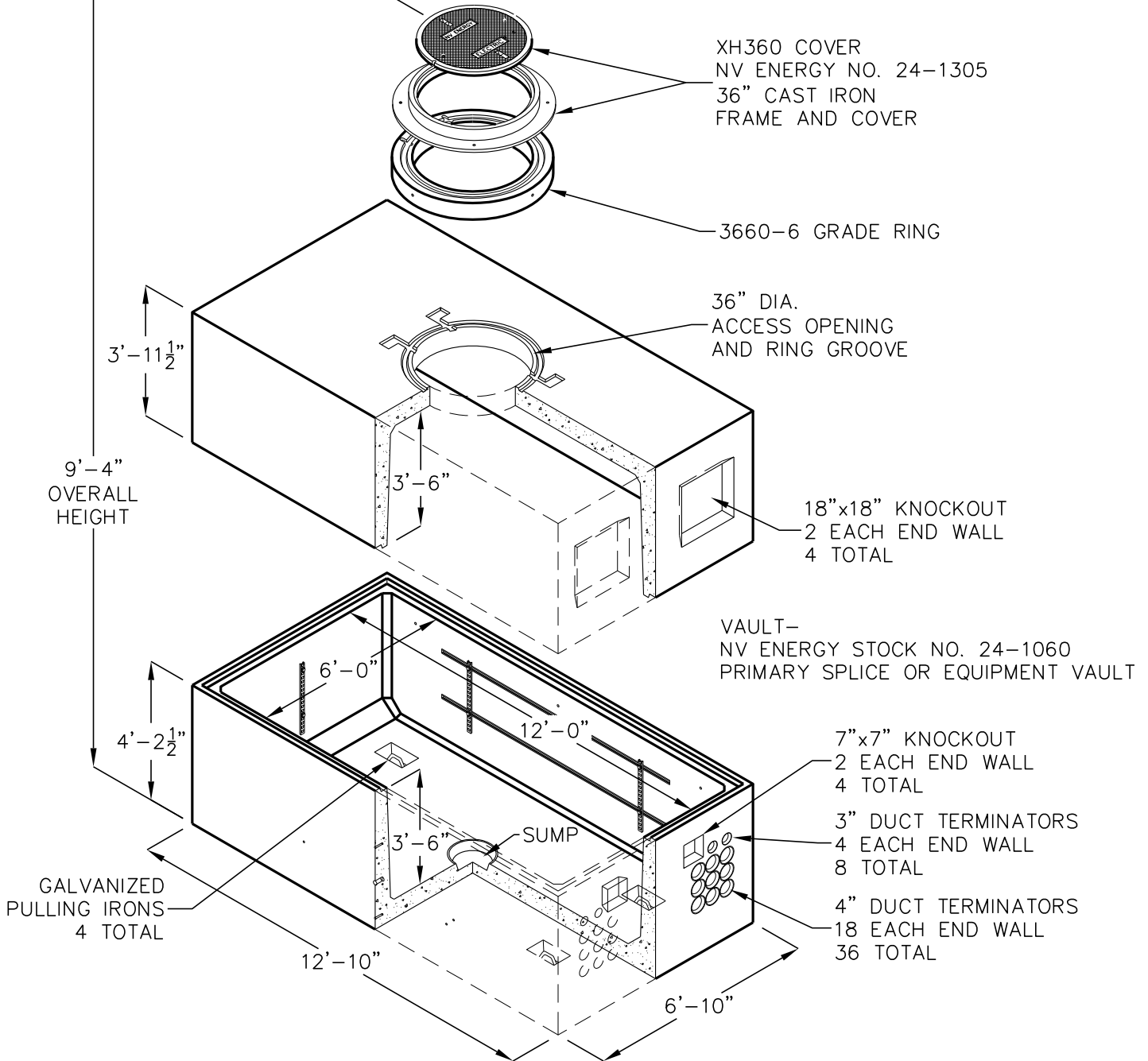




612NVE VAULT WITH COVER B-1 6'-0"x12'-0"x7'-0" (NOMINAL INSIDE DIMENSIONS)



LADDER, KNOCKOUTS, STRUT AND RACKING, AND DUCT TERMINATORS PER CURRENT NV ENERGY SPECIFICATIONS.

DESIGN LOAD: H-20 TRAFFIC.

FOR COMPLETE DESIGN AND PRODUCT INFORMATION CONTACT JENSEN PRECAST.

Jensen Precast reserves the right to make changes to product design and/or dimensions without notice. Please contact Jensen Precast whenever necessary for confirmation or advice on product design.

