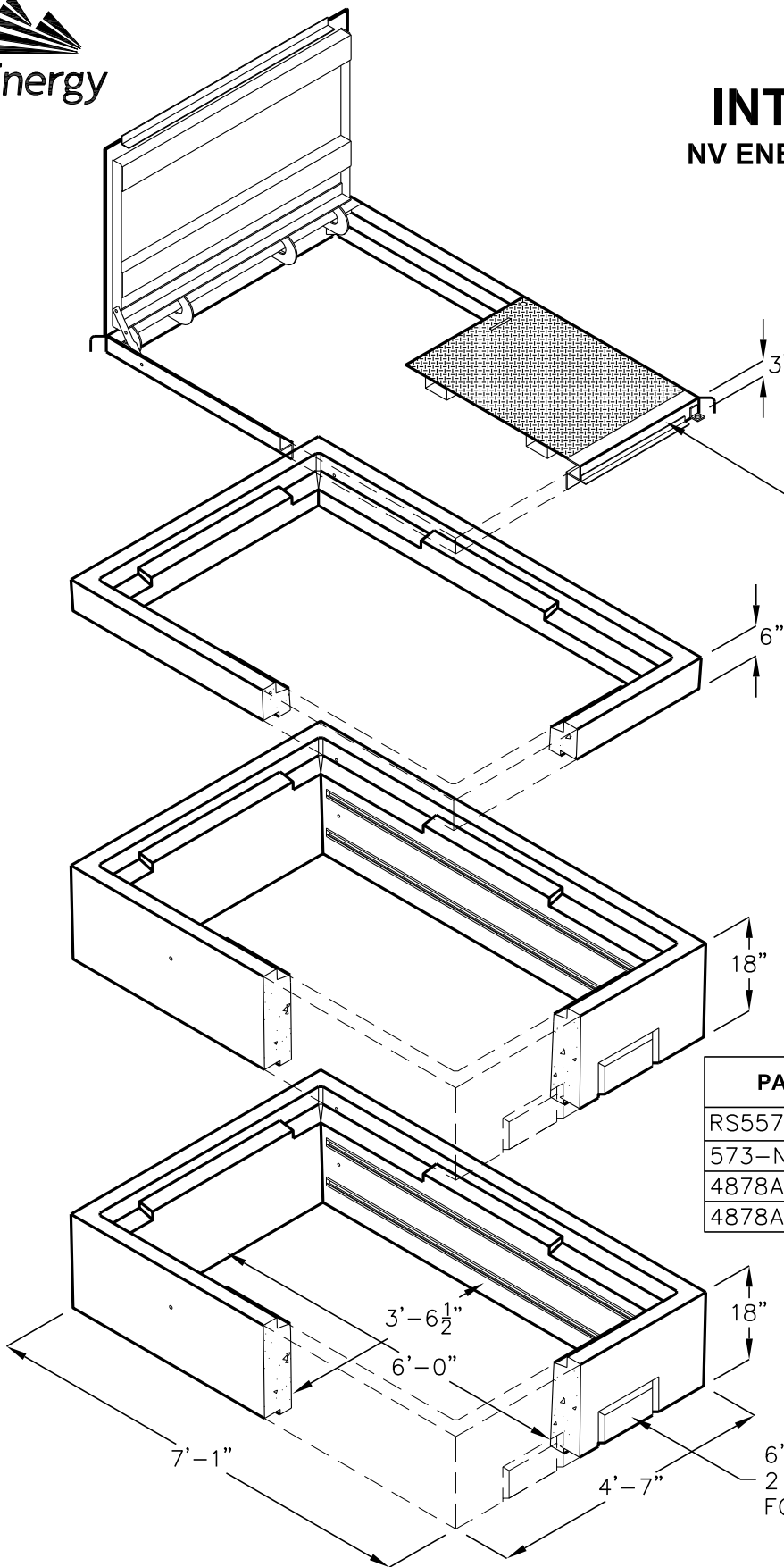




573 NVE INTERCEPT VAULT

NV ENERGY DRAWING NO. VB0067 U



GALVANIZED
TORSION SPRING
ASSISTED COVER
(LID A- INCIDENTAL H-20)
(LID C- PEDESTRIAN)

PART NO.	STOCK NO.	HEIGHT
RS557/573-18	24-0466	18"
573-NVE-R6	24-0500	6"
4878AT-NVE-C	24-1166	3"
4878AT-NVE-A	24-1167	3"

6" x 12" IMPRESSION
2 EACH END WALL
FOR KNOCKOUTS

FOR COMPLETE DESIGN AND PRODUCT INFORMATION
CONTACT JENSEN PRECAST.

Jensen Precast reserves the right to make changes to product design
and/or dimensions without notice. Please contact Jensen Precast whenever
necessary for confirmation or advice on product design.

