



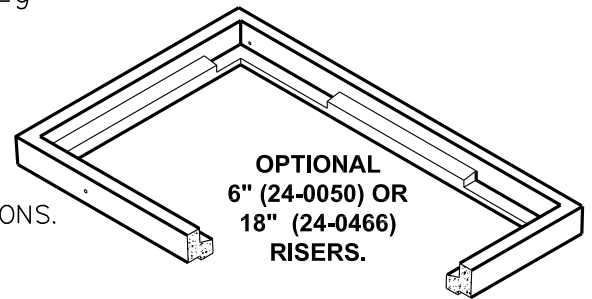
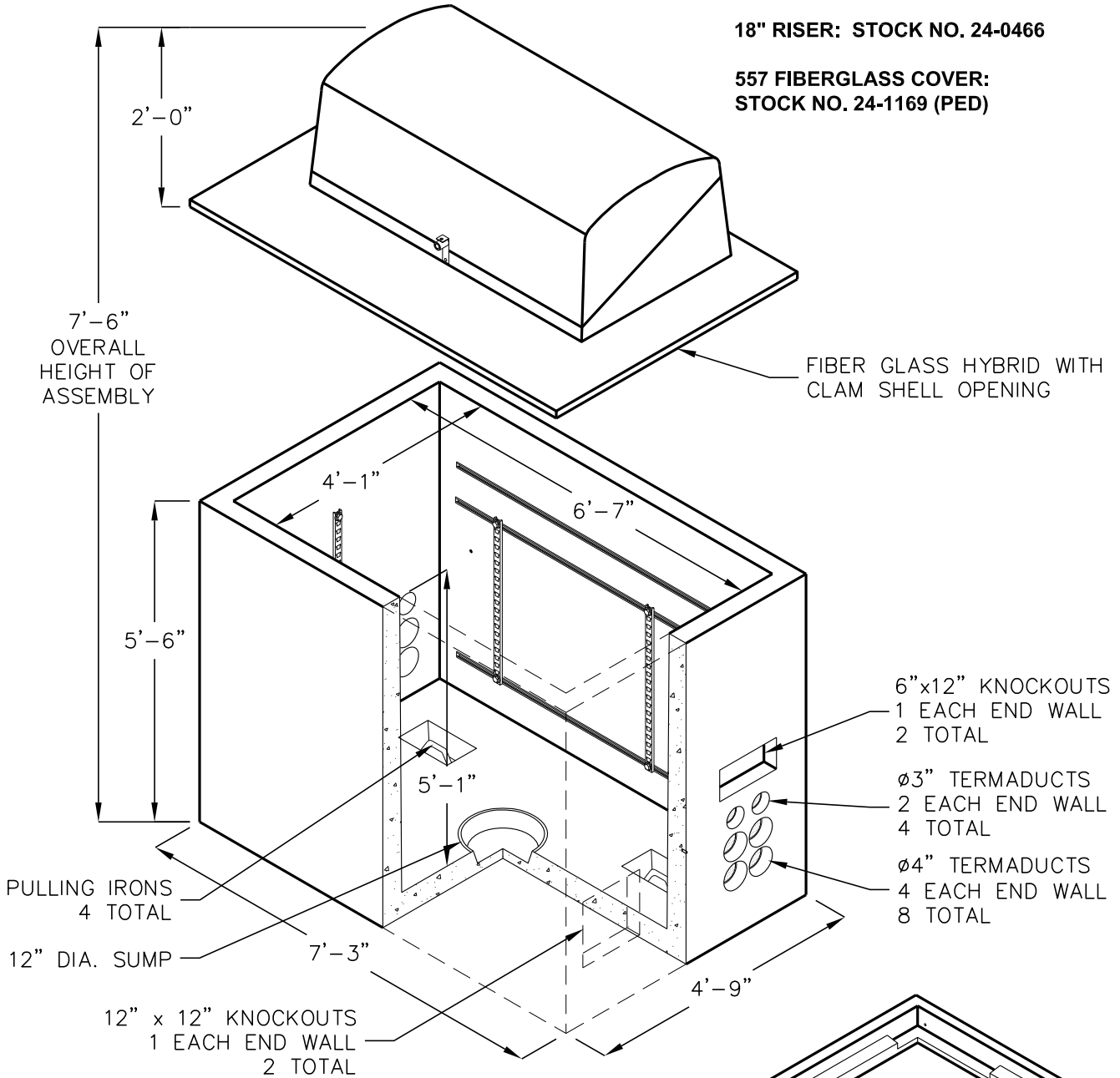
557 NVE WITH COVER C-1

NV ENERGY DRAWING NO. VB0071 U

557NVE PRIMARY VAULT:
STOCK NO. 24-1045 48"x78"x61" I.D.

18" RISER: STOCK NO. 24-0466

557 FIBERGLASS COVER:
STOCK NO. 24-1169 (PED)



VAULT INCLUDES:
LADDER, KNOCKOUTS, TERMAUCTS, UNISTRUT, RACKING,
ARMS, OPENINGS, ETC. PER CURRENT NV ENERGY SPECIFICATIONS.

BOX DESIGN LOAD: H-20 TRAFFIC.

FOR COMPLETE DESIGN AND PRODUCT INFORMATION
CONTACT JENSEN PRECAST.

Jensen Precast reserves the right to make changes to product design
and/or dimensions without notice. Please contact Jensen Precast whenever
necessary for confirmation or advice on product design.

