



# 557 NVE WITH COVER B-1

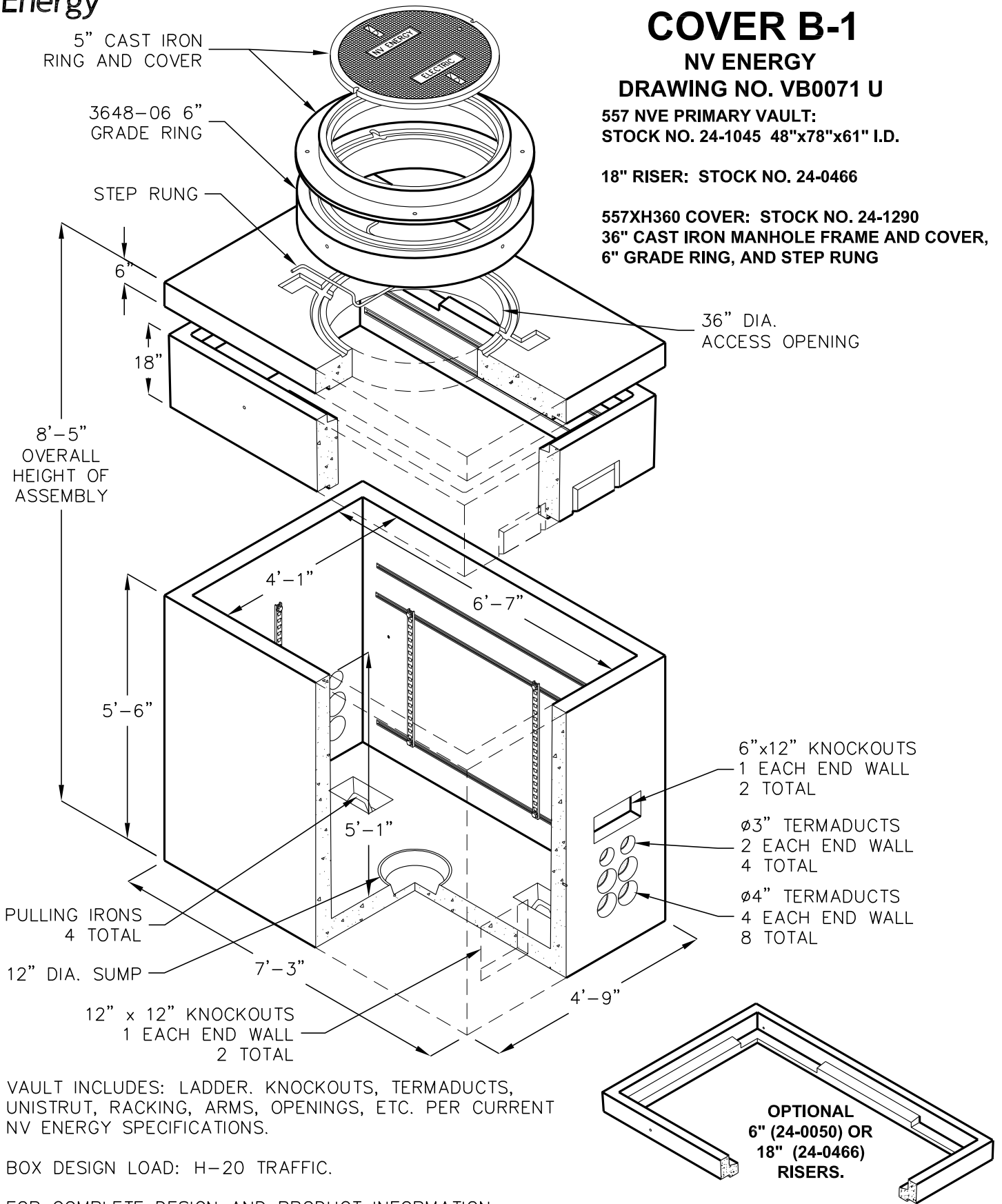
NV ENERGY

DRAWING NO. VB0071 U

557 NVE PRIMARY VAULT:  
STOCK NO. 24-1045 48"x78"x61" I.D.

18" RISER: STOCK NO. 24-0466

557XH360 COVER: STOCK NO. 24-1290  
36" CAST IRON MANHOLE FRAME AND COVER,  
6" GRADE RING, AND STEP RUNG



VAULT INCLUDES: LADDER, KNOCKOUTS, TERMAUCTS, UNISTRUT, RACKING, ARMS, OPENINGS, ETC. PER CURRENT NV ENERGY SPECIFICATIONS.

BOX DESIGN LOAD: H-20 TRAFFIC.

FOR COMPLETE DESIGN AND PRODUCT INFORMATION CONTACT JENSEN PRECAST.

Jensen Precast reserves the right to make changes to product design and/or dimensions without notice. Please contact Jensen Precast whenever necessary for confirmation or advice on product design.

