

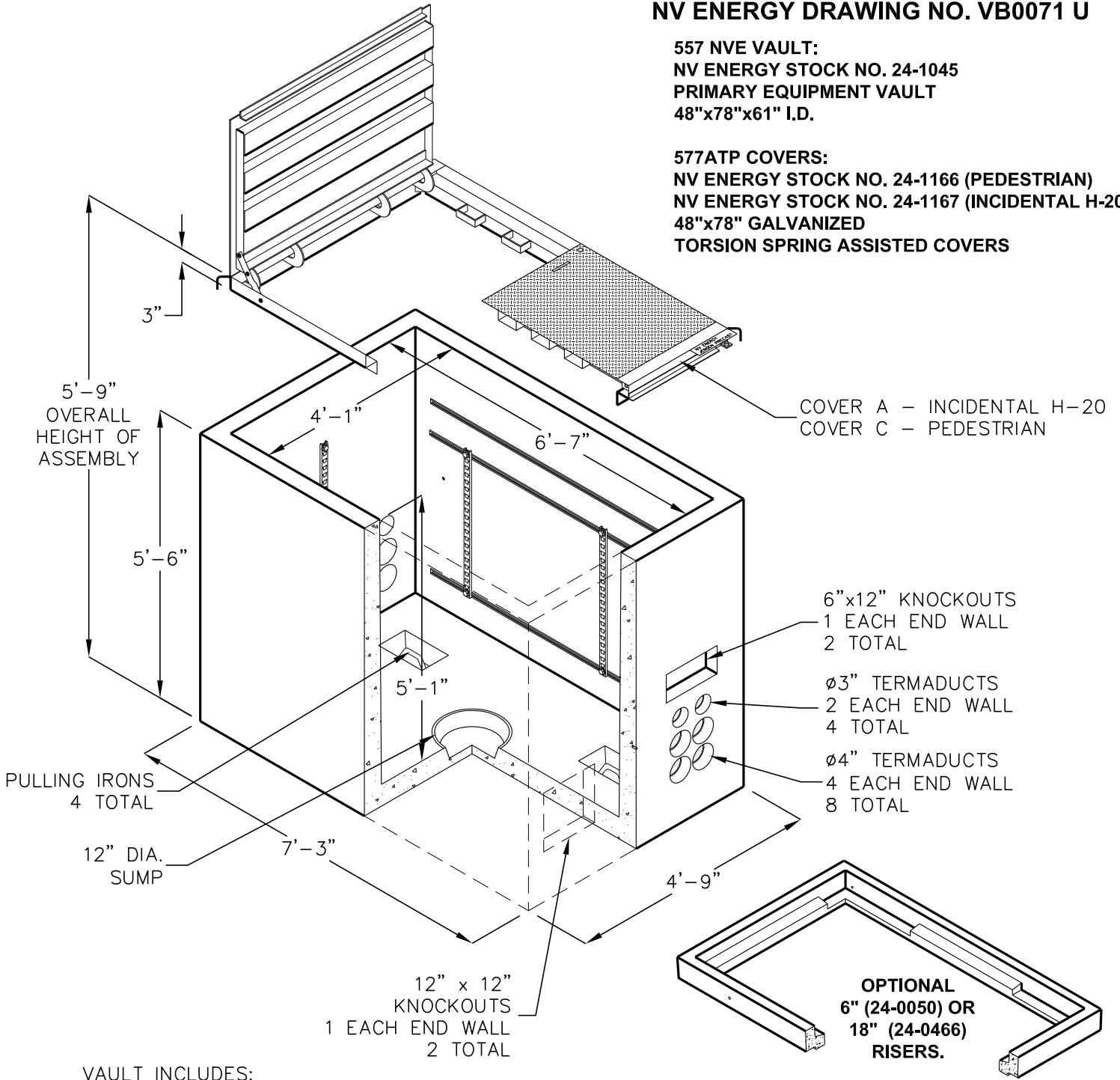


557 NVE WITH COVER A OR C

NV ENERGY DRAWING NO. VB0071 U

557 NVE VAULT:
 NV ENERGY STOCK NO. 24-1045
 PRIMARY EQUIPMENT VAULT
 48"x78"x61" I.D.

577ATP COVERS:
 NV ENERGY STOCK NO. 24-1166 (PEDESTRIAN)
 NV ENERGY STOCK NO. 24-1167 (INCIDENTAL H-20)
 48"x78" GALVANIZED
 TORSION SPRING ASSISTED COVERS



VAULT INCLUDES:
 LADDER, KNOCKOUTS, TERMAUCTS, UNISTRUT, RACKING, ARMS, OPENINGS,
 ETC. PER CURRENT NV ENERGY SPECIFICATIONS.

BOX DESIGN LOAD: INCIDENTAL H-20 TRAFFIC SUITABLE FOR OFF STREET
 LOCATIONS AWAY FROM HIGH DENSITY TRAFFIC.

FOR COMPLETE DESIGN AND PRODUCT INFORMATION
 CONTACT JENSEN PRECAST.

Jensen Precast reserves the right to make changes to product design
 and/or dimensions without notice. Please contact Jensen Precast whenever
 necessary for confirmation or advice on product design.

