

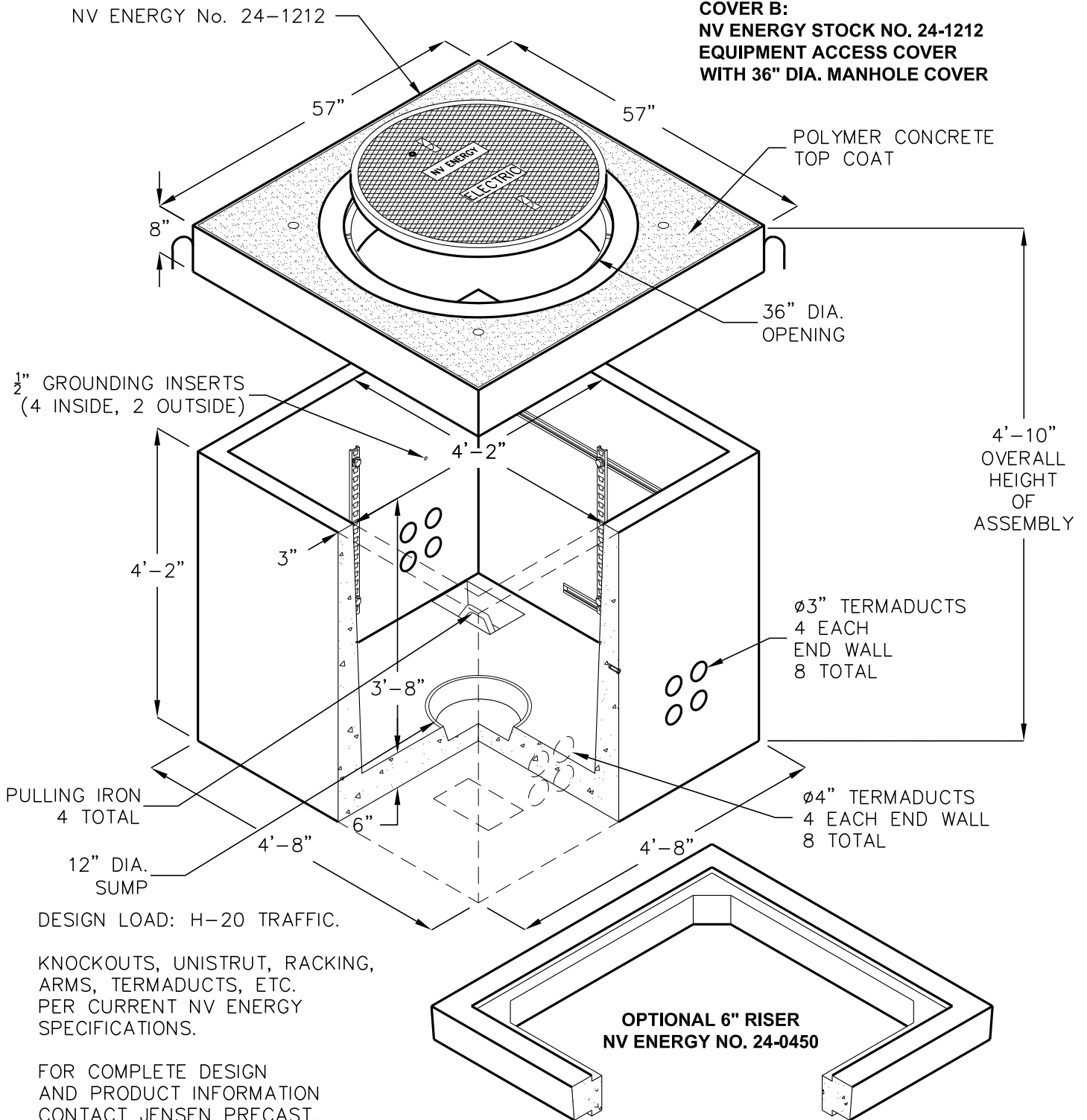


# 504 NVE WITH COVER B

NV ENERGY DRAWING NO. VB0065 U

504 NVE VAULT STOCK NO. 24-0070

**COVER B:**  
NV ENERGY STOCK NO. 24-1212  
EQUIPMENT ACCESS COVER  
WITH 36" DIA. MANHOLE COVER



D

3/31/2016  
504\_COVER B\_NVE.DWG  
©2016

Jensen Precast reserves the right to make changes to product design and/or dimensions without notice. Please contact Jensen Precast whenever necessary for confirmation or advice on product design.

