

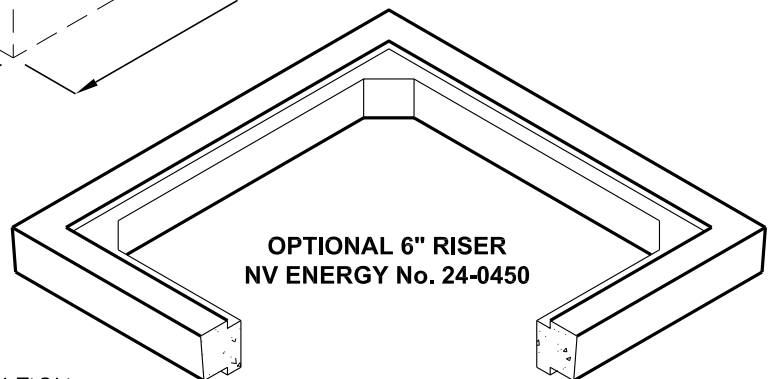
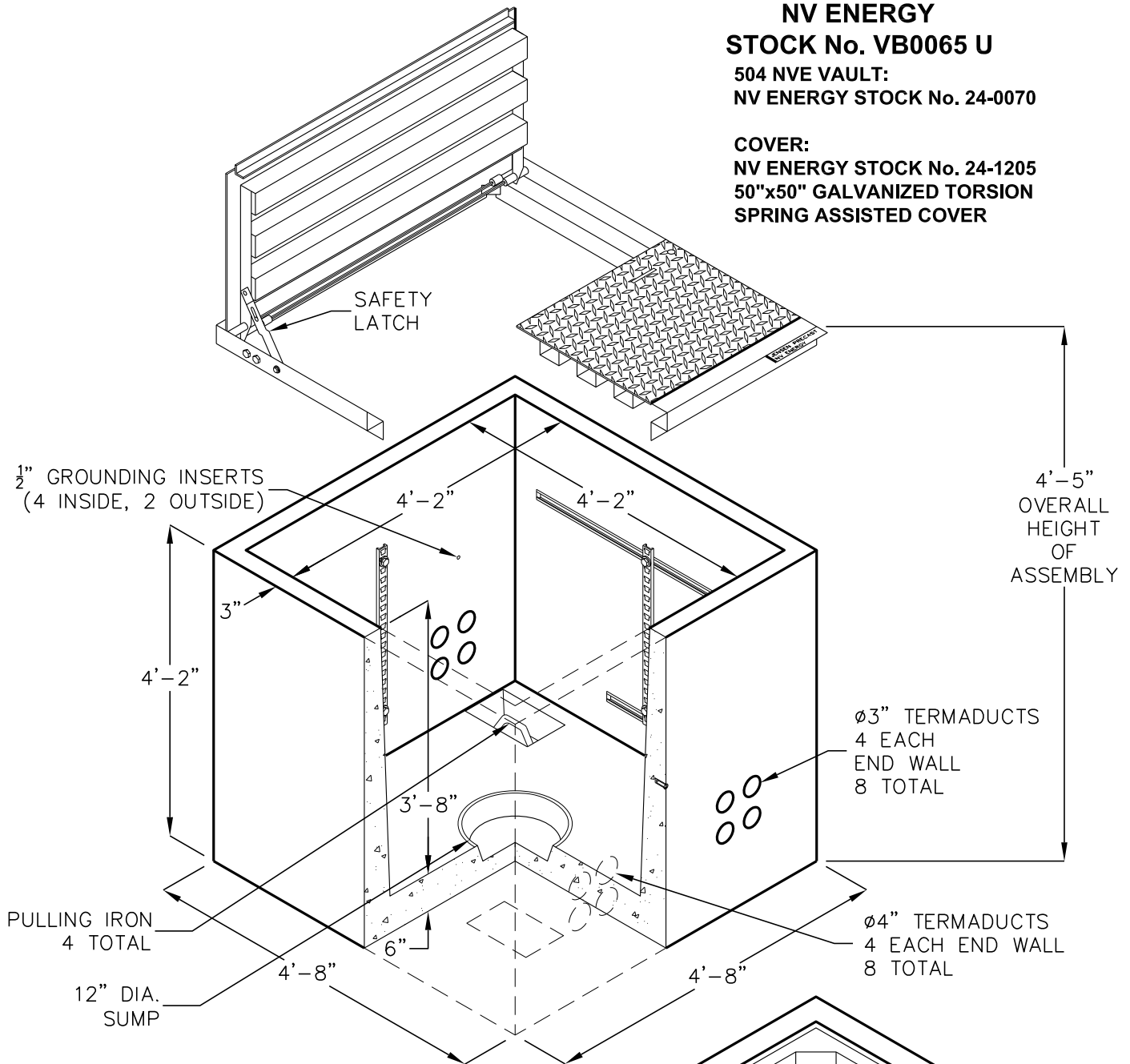


504 NVE WITH COVER A

NV ENERGY
STOCK No. VB0065 U

504 NVE VAULT:
NV ENERGY STOCK No. 24-0070

COVER:
NV ENERGY STOCK No. 24-1205
50"x50" GALVANIZED TORSION
SPRING ASSISTED COVER



DESIGN LOAD: H-20 INCIDENTAL TRAFFIC.

KNOCKOUTS, UNISTRUT, RACKING, ARMS,
TERMADUCTS, ETC. PER CURRENT NV ENERGY
SPECIFICATIONS.

FOR COMPLETE DESIGN AND PRODUCT INFORMATION
CONTACT JENSEN PRECAST.

F

3/31/2016
504_COVER A_NVE.DWG
©2016

Jensen Precast reserves the right to make changes to product design
and/or dimensions without notice. Please contact Jensen Precast whenever
necessary for confirmation or advice on product design.

JENSEN
PRECAST EST. 1968