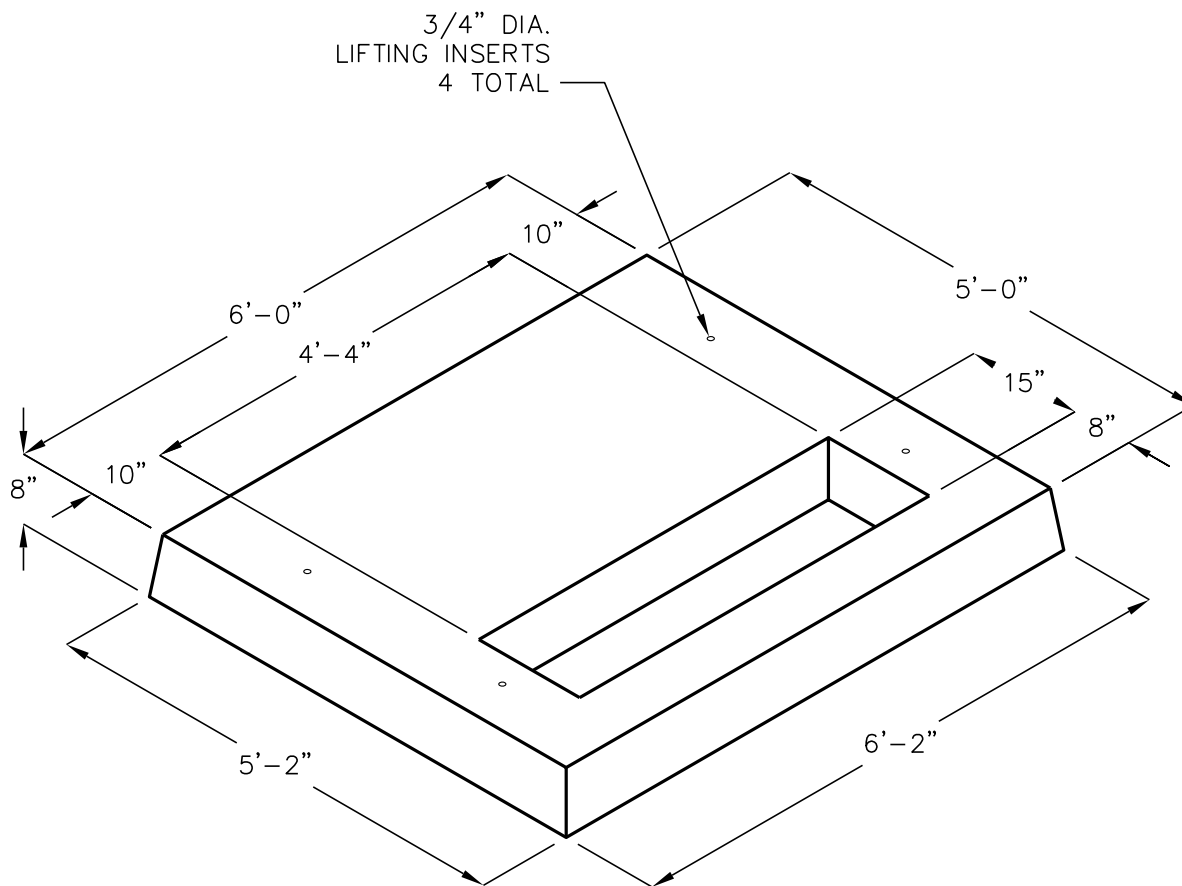


TRANSFORMER PAD MODEL 75/500

MEETS NV ENERGY SPECS.
DRAWING NO. PE0003 U
STOCK NO. 24-0694



FOR COMPLETE DESIGN AND PRODUCT INFORMATION CONTACT JENSEN PRECAST.