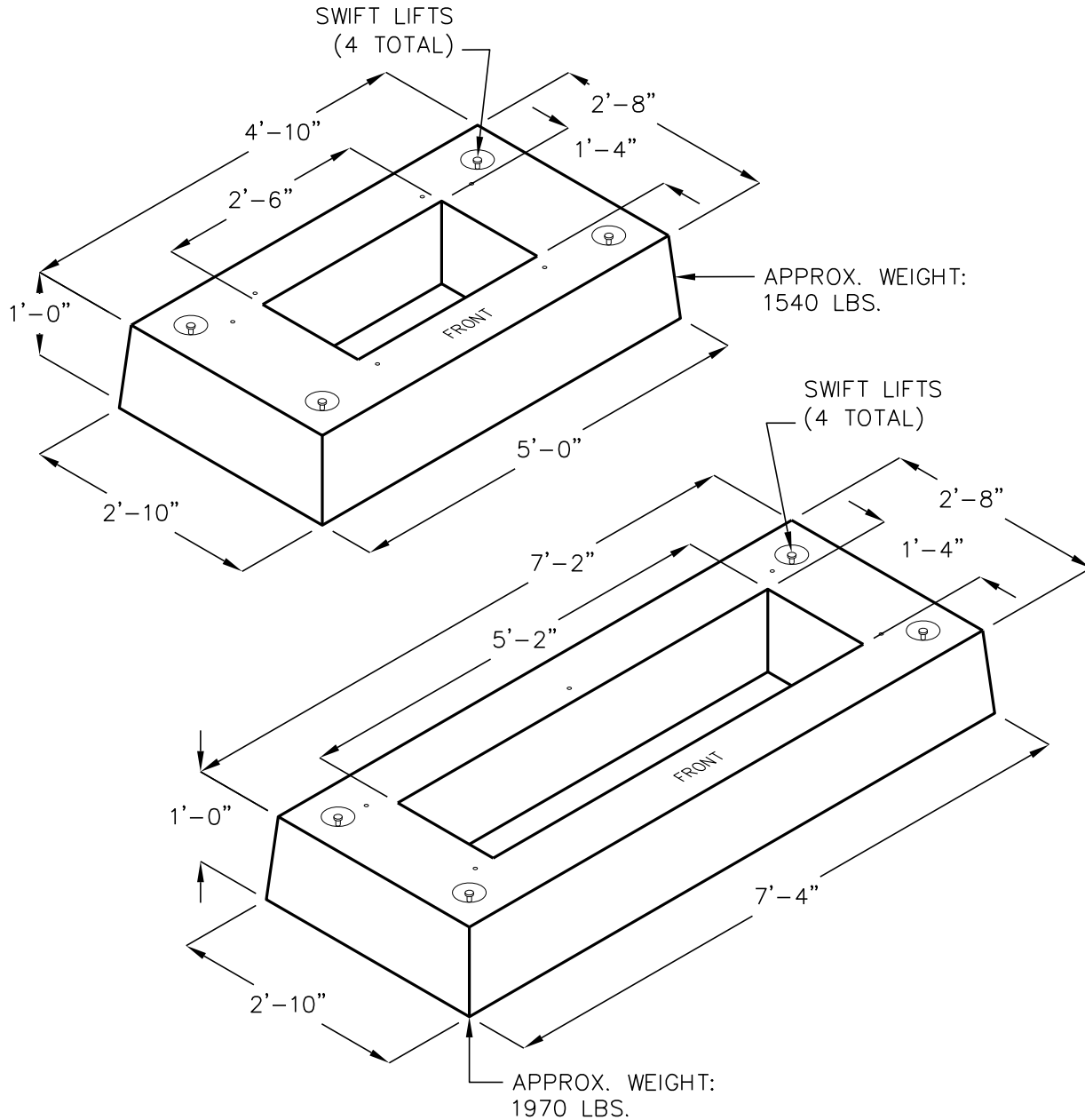




JUNCTION ENCLOSURE PAD MODELS 25S AND 25L

MEETS NV ENERGY SPECS.
DRAWING NO. PE0025 U
STOCK NO. 24-0721
SINGLE/2-PHASE PAD
STOCK NO. 24-0722
3-PHASE PAD



FOR COMPLETE DESIGN AND PRODUCT INFORMATION CONTACT JENSEN PRECAST.

Jensen Precast reserves the right to make changes to product design and/or dimensions without notice. Please contact Jensen Precast whenever necessary for confirmation or advice on product design.

