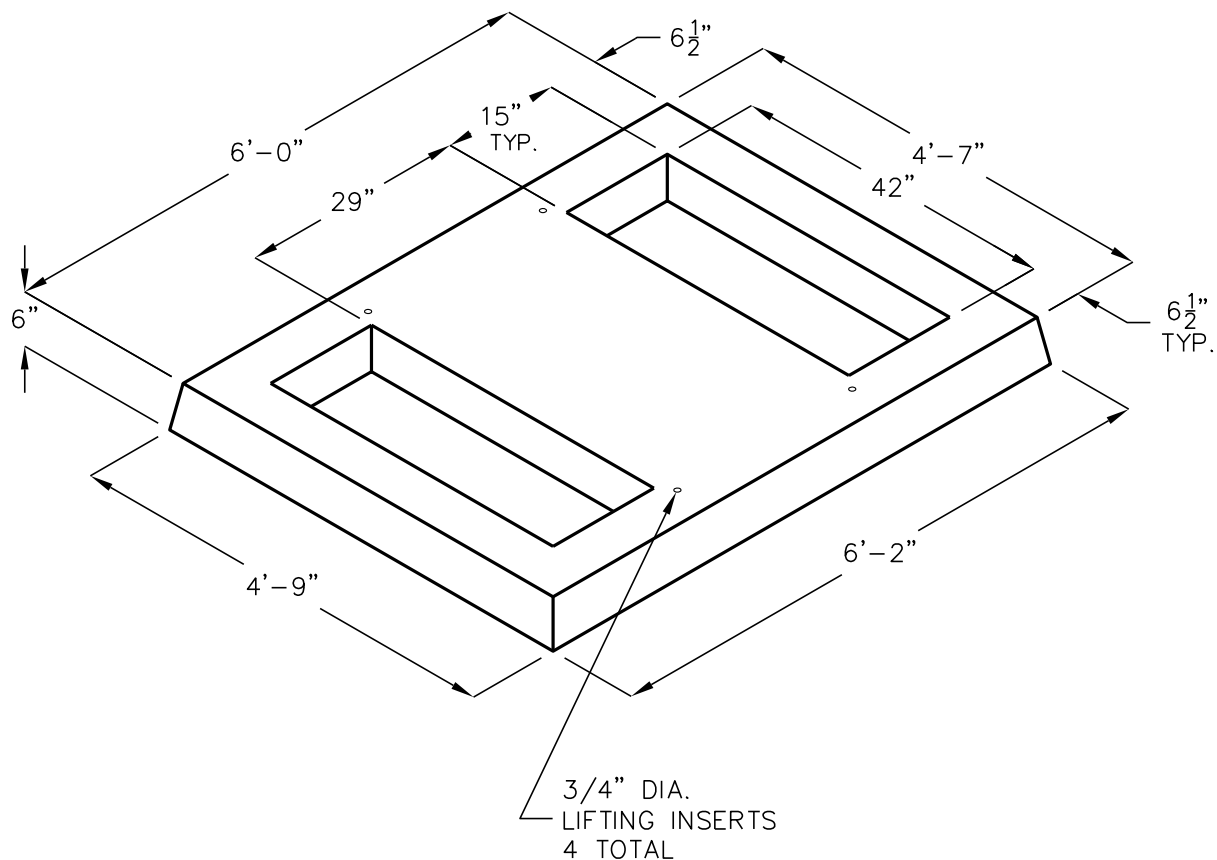


# PAD MOUNTED SWITCH PAD MODEL 12-U

MEETS NV ENERGY SPECS.  
DRAWING NO. PE0012 U  
STOCK NO. 24-0726



FOR COMPLETE DESIGN AND PRODUCT INFORMATION CONTACT JENSEN PRECAST.