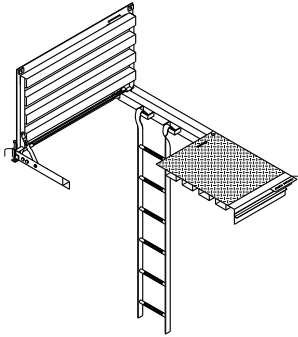
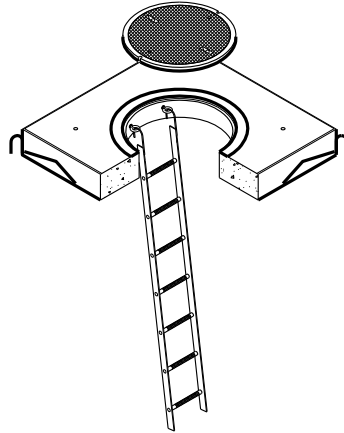


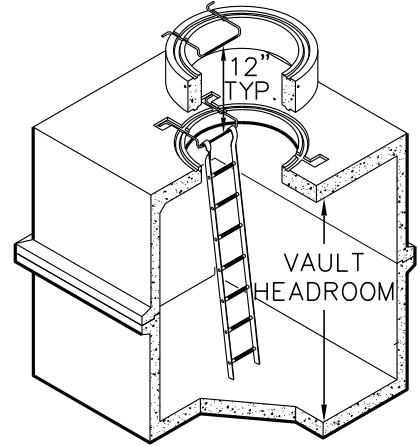
# LADDER OPTIONS WITH LADDER-UP



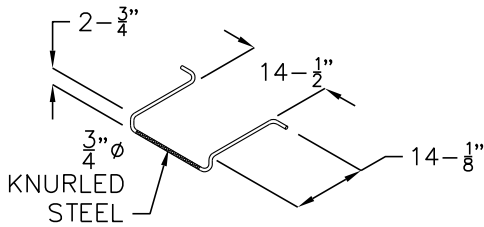
**TYPICAL INSTALLATION  
LID A  
H-10 RATED TORSION  
SPRING ASSISTED COVER**



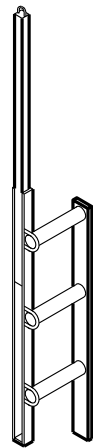
**TYPICAL INSTALLATION  
LID B  
H-20 FULL LIFT OUT  
ACCESS COVERS**



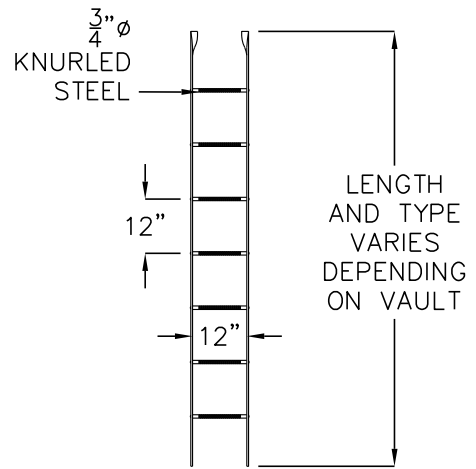
**TYPICAL INSTALLATION  
LID B-1  
H-20 RATED  
3' MANHOLE OPENING**



**STEP RUNG  
USED ON LID B-1  
(GALVANIZED)**



**LADDER-UP  
(CUT AWAY DETAIL)**



**LADDER  
(GALVANIZED)**

FOR COMPLETE DESIGN AND PRODUCT INFORMATION CONTACT JENSEN PRECAST.

Jensen Precast reserves the right to make changes to product design and/or dimensions without notice. Please contact Jensen Precast whenever necessary for confirmation or advice on product design.

