

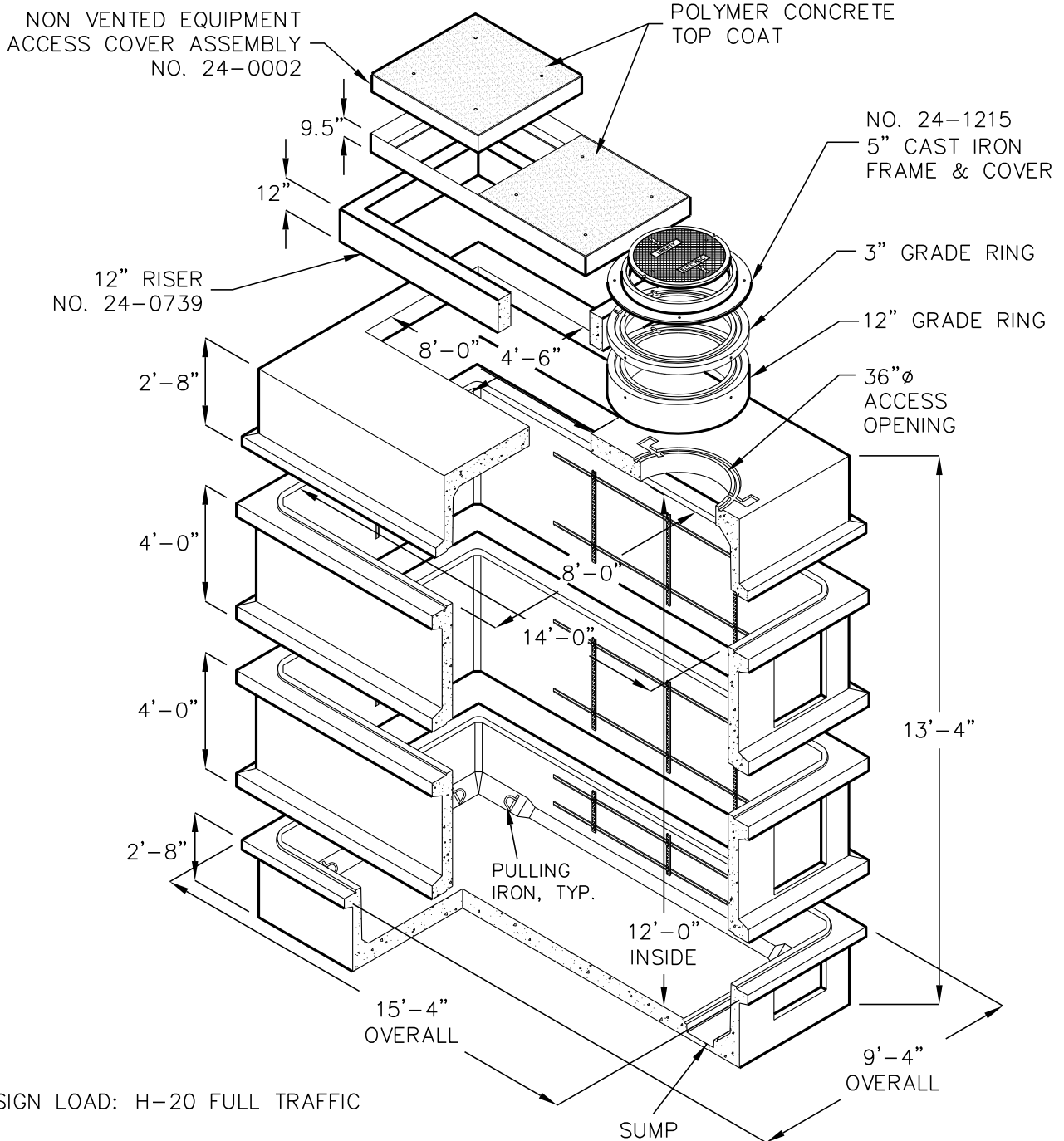
814-12 LIB

8'-0"x14'-0"x12'-0"
(NOMINAL INSIDE DIMENSIONS)

VAULT INCLUDES LADDER, LADDER-UP SAFETY POST,
AND SUMP GRATE NOT SHOWN.

LIBERTY UTILITIES DRAWING VB0090 U
STOCK NO: 24-1062
PRIMARY SPLICE OR EQUIPMENT VAULT

KNOCKOUTS, UNISTRUT, RACKING, ARMS, OPENINGS,
ETC. PER CURRENT LIBERTY UTILITIES SPECIFICATIONS.



DESIGN LOAD: H-20 FULL TRAFFIC

FOR COMPLETE DESIGN AND PRODUCT
INFORMATION CONTACT JENSEN PRECAST.

Jensen Precast reserves the right to make changes to product design
and/or dimensions without notice. Please contact Jensen Precast whenever
necessary for confirmation or advice on product design.

