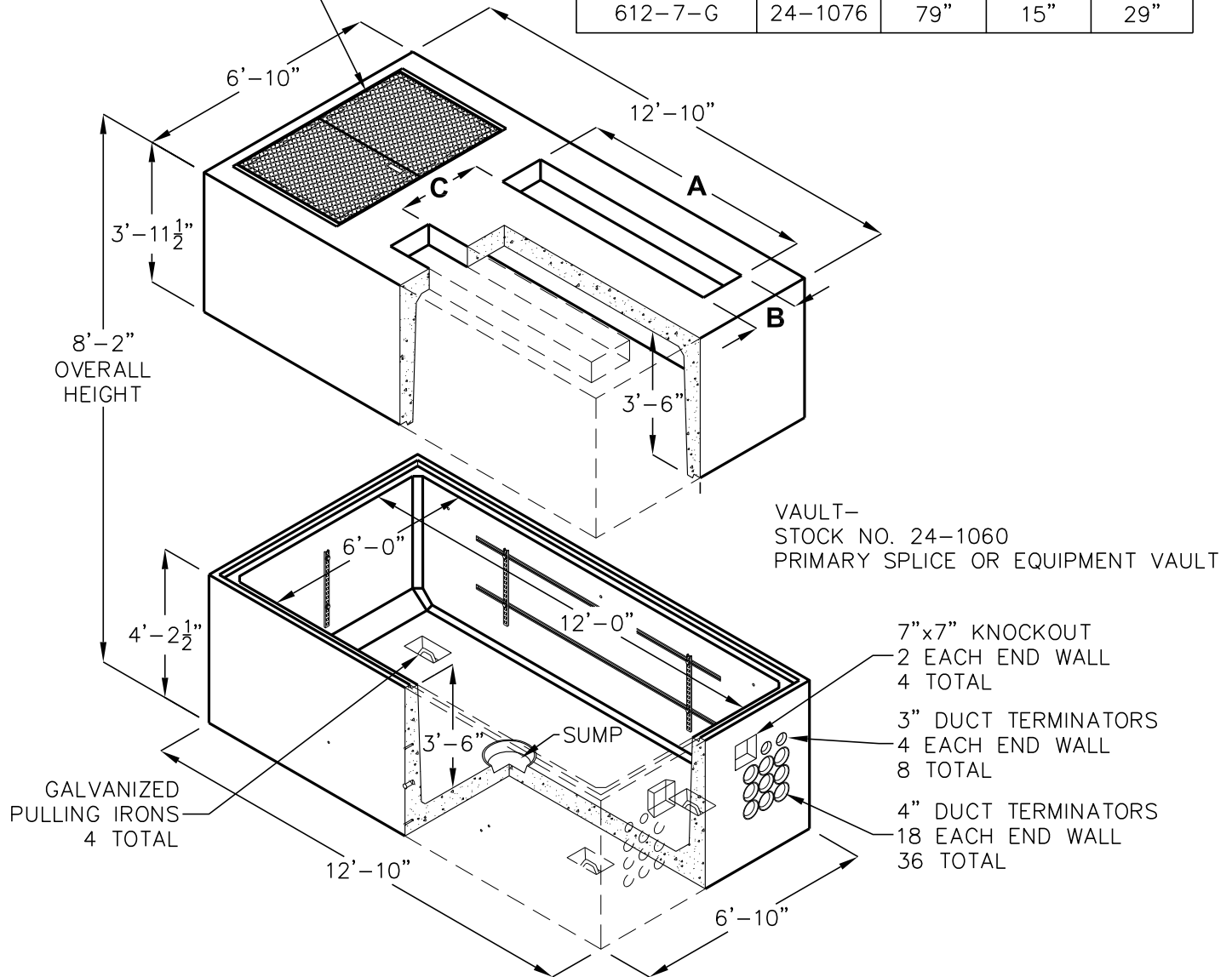


612-7 LIB SWITCHPAD VAULT

6'-0"x12'-0"x7'-0"
(NOMINAL INSIDE DIMENSIONS)

3660AT GALVANIZED COVER
TORSION SPRING ASSIST

MODEL NO.	STOCK NO.	DIM A	DIM B	DIM C
612-7-E	24-1075	64"	13"	38"
612-7-F	24-1077	64"	15"	29"
612-7-G	24-1076	79"	15"	29"



LADDER, KNOCKOUTS, STRUT AND RACKING, AND DUCT TERMINATORS PER CURRENT LIBERTY UTILITIES SPECIFICATIONS.

DESIGN LOAD: 300 PSF PEDESTRIAN LOADING.

FOR COMPLETE DESIGN AND PRODUCT INFORMATION CONTACT JENSEN PRECAST.

Jensen Precast reserves the right to make changes to product design and/or dimensions without notice. Please contact Jensen Precast whenever necessary for confirmation or advice on product design.

