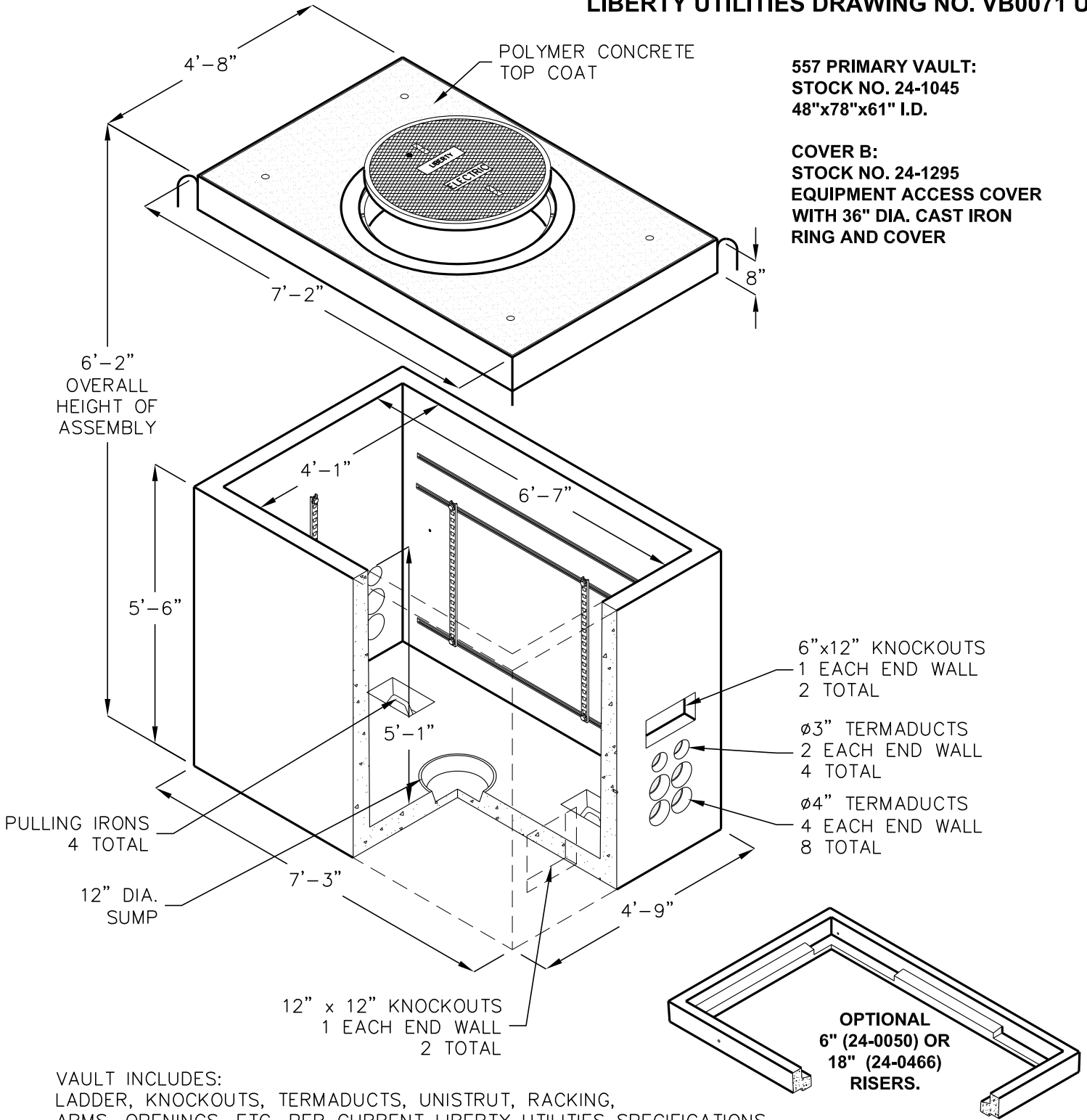


557 LIB WITH COVER B

LIBERTY UTILITIES DRAWING NO. VB0071 U



557 PRIMARY VAULT:
STOCK NO. 24-1045
48"x78"x61" I.D.

COVER B:
STOCK NO. 24-1295
EQUIPMENT ACCESS COVER
WITH 36" DIA. CAST IRON
RING AND COVER

VAULT INCLUDES:
LADDER, KNOCKOUTS, TERMADUCTS, UNISTRUT, RACKING,
ARMS, OPENINGS, ETC. PER CURRENT LIBERTY UTILITIES SPECIFICATIONS.

DESIGN LOAD: H-20 FULL TRAFFIC

FOR COMPLETE DESIGN AND PRODUCT INFORMATION CONTACT JENSEN PRECAST.

Jensen Precast reserves the right to make changes to product design and/or dimensions without notice. Please contact Jensen Precast whenever necessary for confirmation or advice on product design.

