

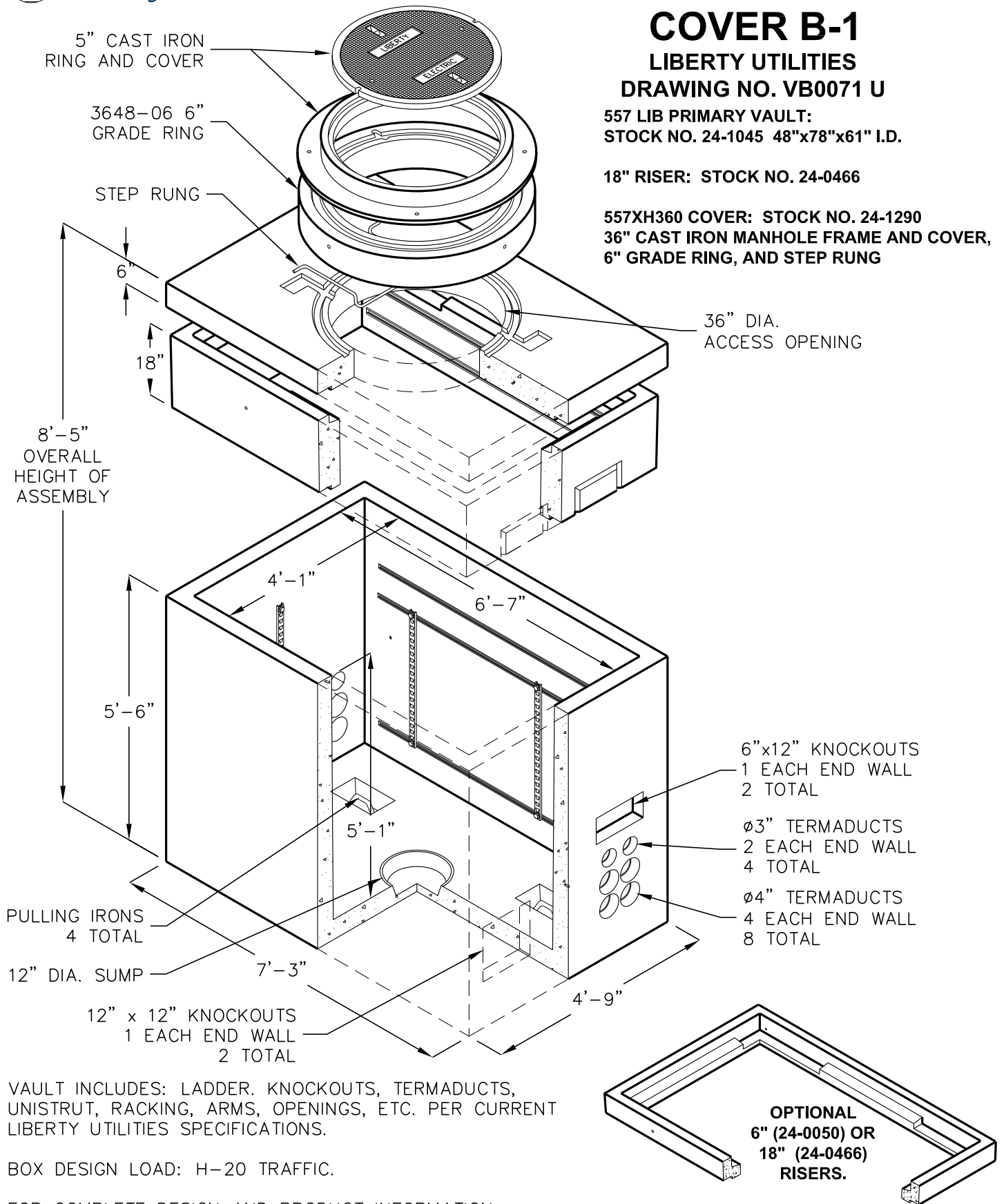
557 LIB WITH COVER B-1

**LIBERTY UTILITIES
DRAWING NO. VB0071 U**

**557 LIB PRIMARY VAULT:
STOCK NO. 24-1045 48"x78"x61" I.D.**

18" RISER: STOCK NO. 24-0466

**557XH360 COVER: STOCK NO. 24-1290
36" CAST IRON MANHOLE FRAME AND COVER,
6" GRADE RING, AND STEP RUNG**



VAULT INCLUDES: LADDER, KNOCKOUTS, TERMAUCTS, UNISTRUT, RACKING, ARMS, OPENINGS, ETC. PER CURRENT LIBERTY UTILITIES SPECIFICATIONS.

BOX DESIGN LOAD: H-20 TRAFFIC.

FOR COMPLETE DESIGN AND PRODUCT INFORMATION
CONTACT JENSEN PRECAST.

Jensen Precast reserves the right to make changes to product design and/or dimensions without notice. Please contact Jensen Precast whenever necessary for confirmation or advice on product design.

JENSEN
PRECAST