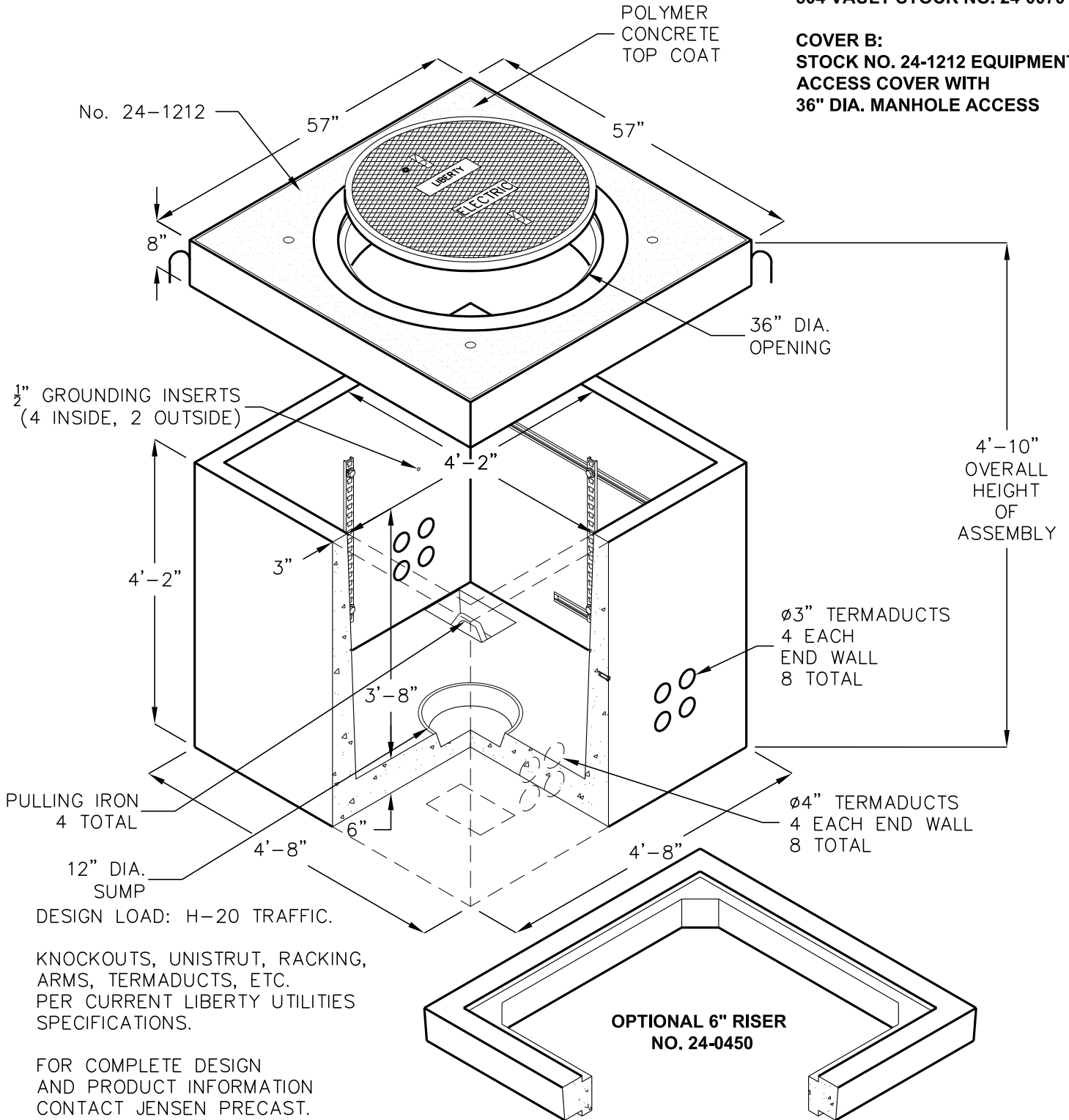


504 LIB WITH COVER B

LIBERTY UTILITIES DRAWING NO. VB0065 U

504 VAULT STOCK NO. 24-0070

COVER B:
STOCK NO. 24-1212 EQUIPMENT
ACCESS COVER WITH
36" DIA. MANHOLE ACCESS



E

5/12/2016
504_COVER B_LIB.DWG
©2016

Jensen Precast reserves the right to make changes to product design and/or dimensions without notice. Please contact Jensen Precast whenever necessary for confirmation or advice on product design.

JENSEN[®]
PRECAST EST. 1968