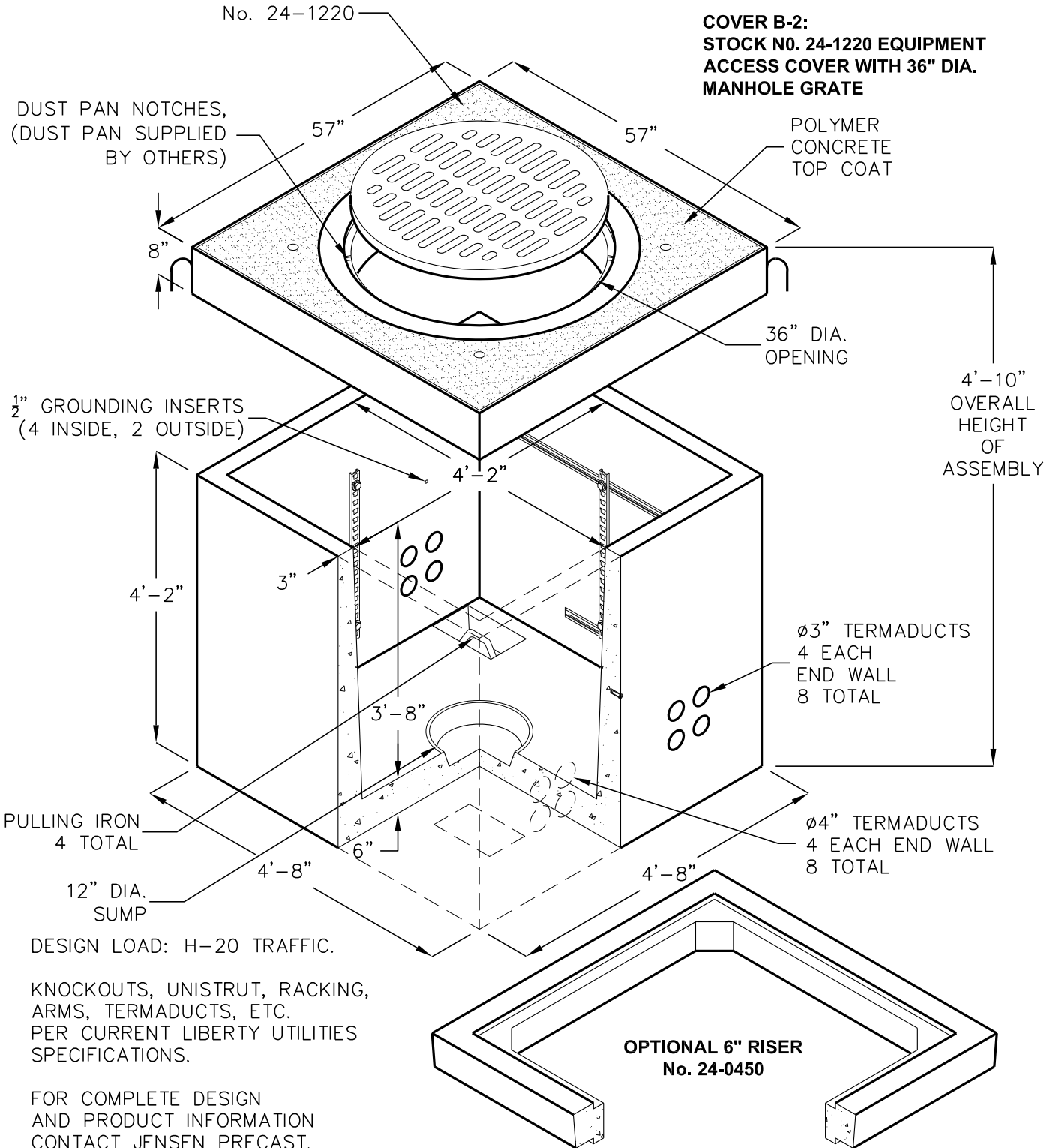


504 LIB WITH COVER B2

LIBERTY UTILITIES DRAWING NO. VB0065 U

504 VAULT STOCK NO. 24-0070

COVER B-2:
STOCK NO. 24-1220 EQUIPMENT
ACCESS COVER WITH 36" DIA.
MANHOLE GRATE



D