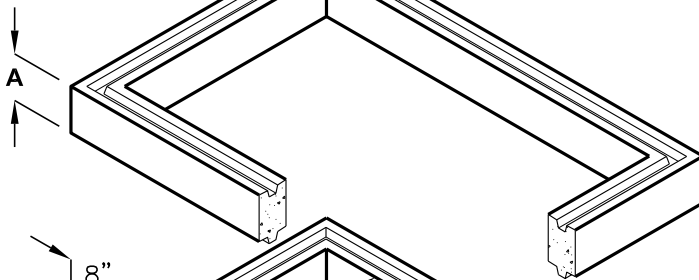
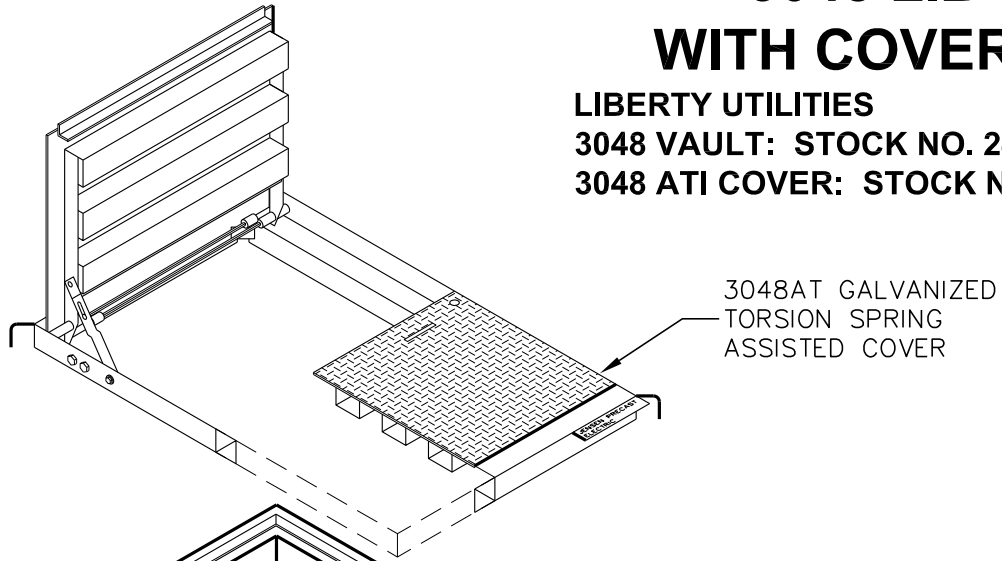


3048 LIB WITH COVER A

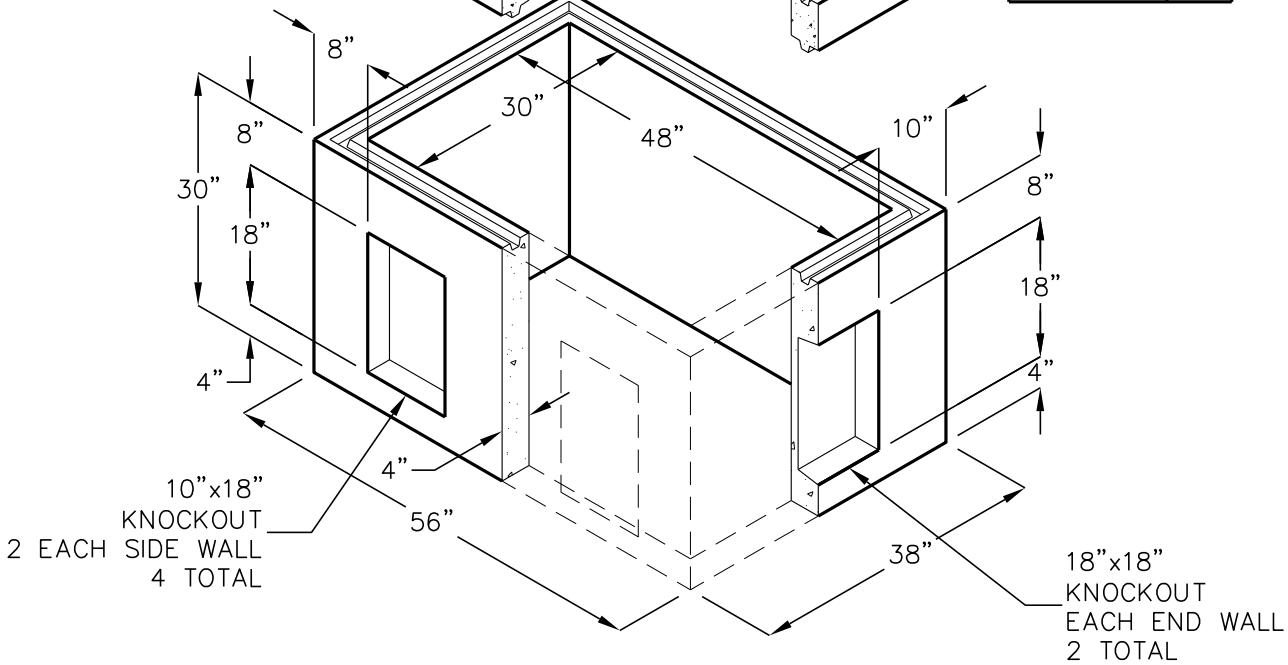
LIBERTY UTILITIES

3048 VAULT: STOCK NO. 24-0460

3048 ATI COVER: STOCK NO. 24-1190



*RISERS	
MODEL NO.	A
RS304806	6"
RS304812	12"



* RISERS ARE DESIGNED FOR PLACEMENT ON TOP OF VAULT ONLY.

SUITABLE FOR BURY DEPTHS OF 1 TO 5 FEET, FINISH GRADE TO TOP OF VAULT.

DESIGN LOAD: INCIDENTAL H-20 TRAFFIC SUITABLE FOR OFF STREET LOCATIONS AWAY FROM HIGH DENSITY TRAFFIC.

FOR COMPLETE DESIGN AND PRODUCT INFORMATION CONTACT JENSEN PRECAST.

Jensen Precast reserves the right to make changes to product design and/or dimensions without notice. Please contact Jensen Precast whenever necessary for confirmation or advice on product design.