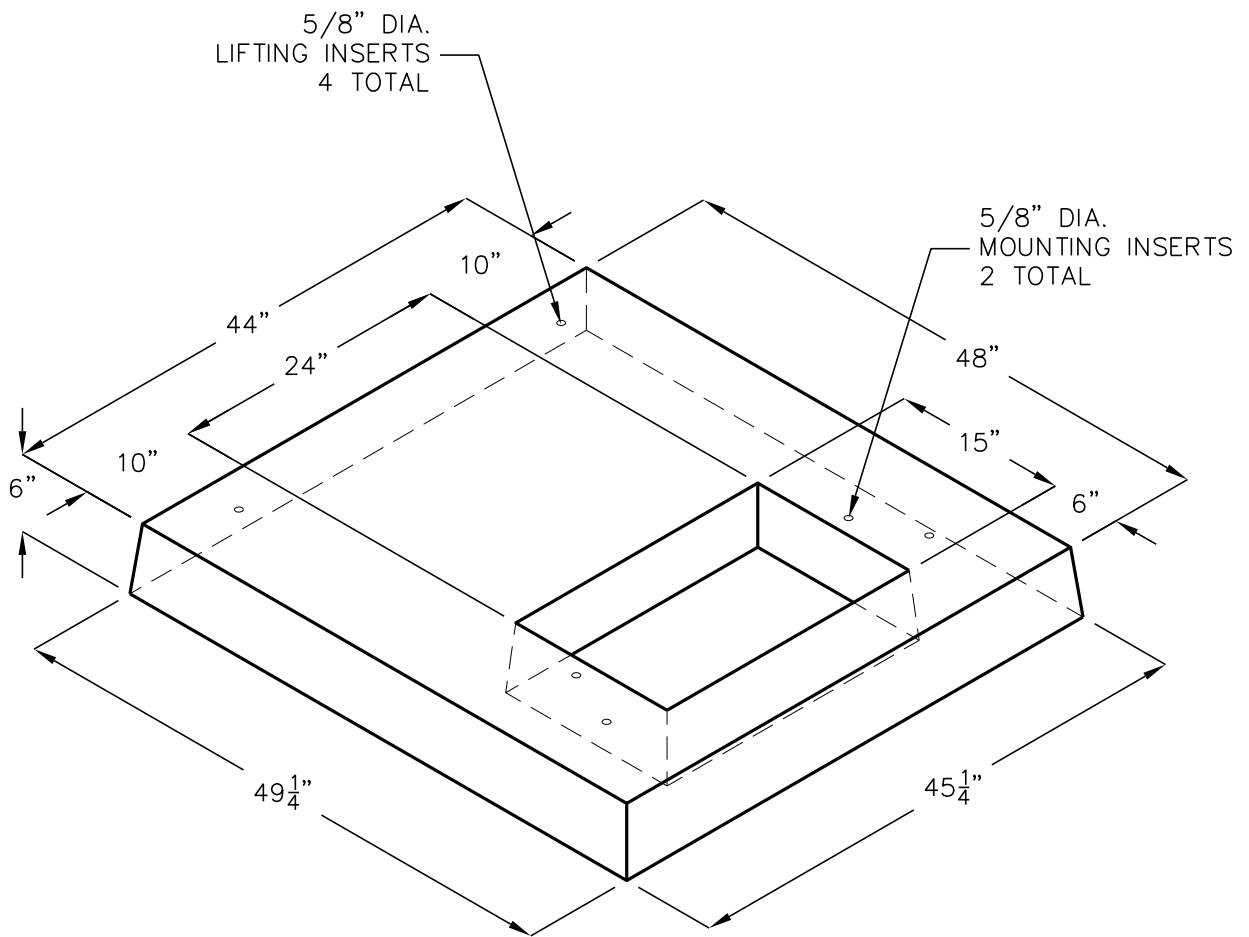


TRANSFORMER PAD MODEL 25/167

MEETS LIBERTY UTILITIES SPECS.
DRAWING NO. PE0001 U
STOCK NO. 24-0692



FOR COMPLETE DESIGN AND PRODUCT INFORMATION
CONTACT JENSEN PRECAST.

C

7/22/2016
1U_TPAD_LIB.DWG
©2016

Jensen Precast reserves the right to make changes to product design and/or dimensions without notice. Please contact Jensen Precast whenever necessary for confirmation or advice on product design.

JENSEN[®]
PRECAST EST. 1968