

# SWITCH PAD VAULTS W/WELL

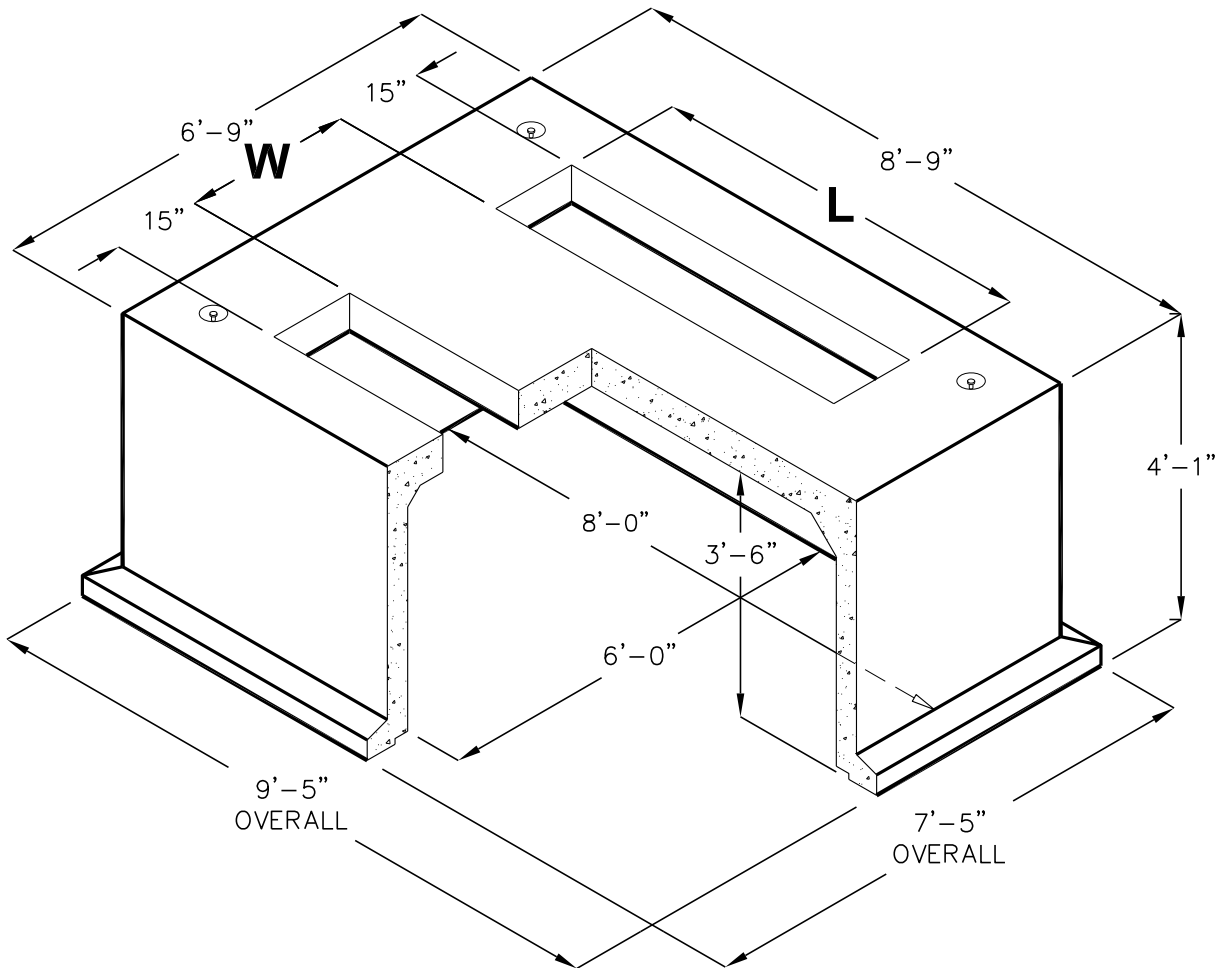
MEETS LIBERTY UTILITIES SPECS.

DRAWING NO. PE0016 U

DRAWING NO. PE0017 U

DRAWING NO. PE0018 U

JENSEN MODEL No.	LIBERTY UTILITIES STOCK No.	DIMENSION 'L'	DIMENSION 'W'
16U	24-0730	64"	38"
17U	24-0734	64"	29"
18U	24-0738	79"	29"



FOR COMPLETE DESIGN AND PRODUCT INFORMATION CONTACT JENSEN PRECAST.

Jensen Precast reserves the right to make changes to product design and/or dimensions without notice. Please contact Jensen Precast whenever necessary for confirmation or advice on product design.